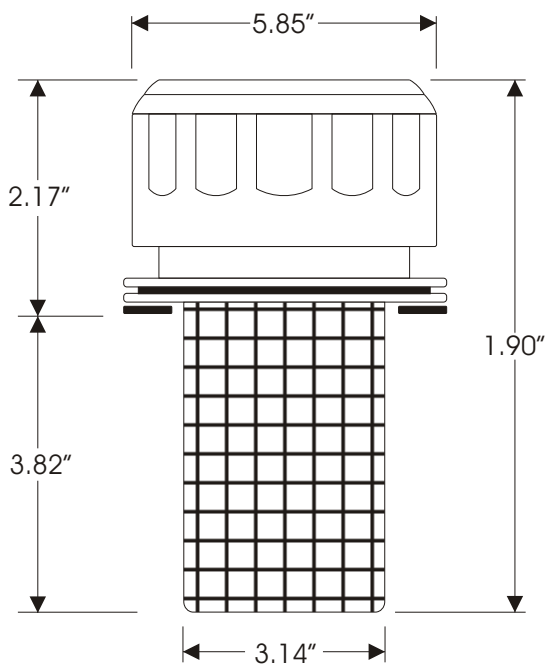


# BEHRINGER®

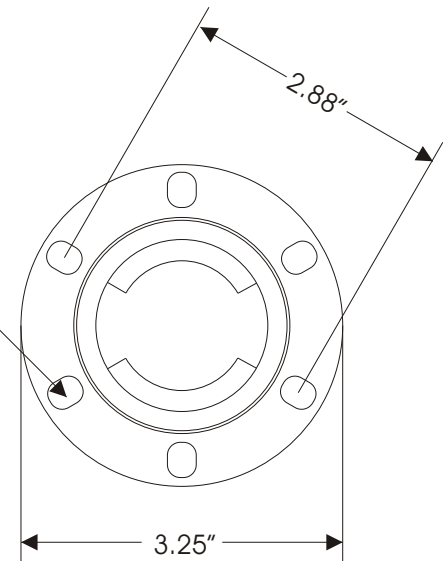
## Bayonet Style Filler Breathers

### Specifications

Chrome Plated Steel Cap  
Air Flow to 40 CFM  
30 Mesh Technopolymer Basket  
Self-Tapping screws for flange-mounting  
Cork Gaskets  
Compatible with petroleum-based fluids



5.5mm holes  
No 10-32 x 1/2"  
mounting screws



### BB

#### Micron Rating

03	3 Micron
10	10 Micron
40	40 Micron

#### Basket

N	Nylon (standard)
T3	3" Stainless
T6	6" Stainless
T8	8" Stainless

#### Options

Omit	None
LO	Lock-Outs
B	Buna Gasket

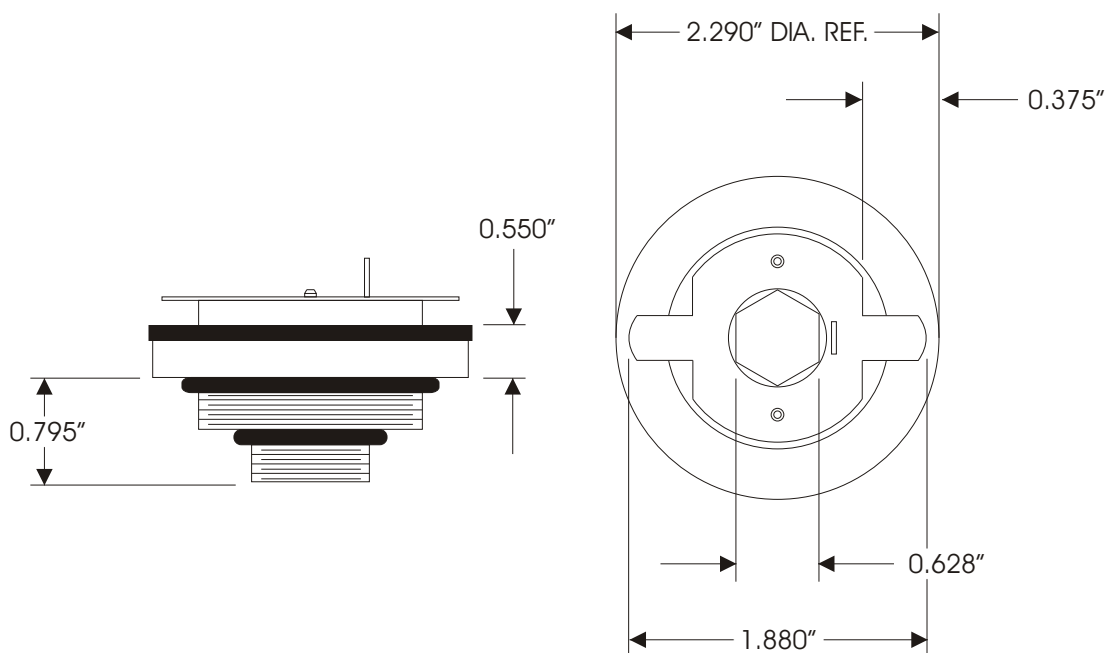
# BEHRINGER®

## BESF-1 Breather Adapter



### Universal Adapter for Breather Mounting

- Easily attaches to existing bayonet lock tab fittings
- Adapts to either 1"-12 or 1 1/2"-16 UNF male threads.
- Fits most spin-on elements
- Easy maintenance and installation
- Low cost, High Durability

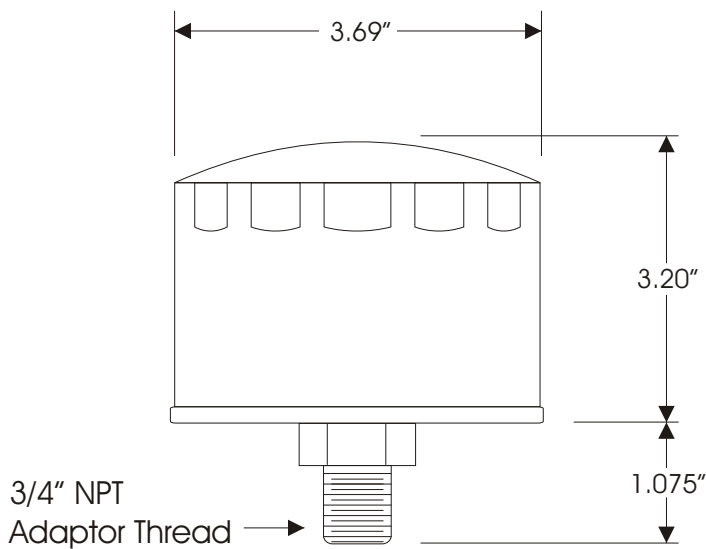


# BEHRINGER®

## BBABF-3/10 Breather with Adapter

### Specifications

- Spin-On Style
- Adapts Breather to 3/4" NPT
- Easy Installation And Maintenance
- Keeps contamination from entering your tank.



- Flows to 40 SCFM

- Cellulose Media

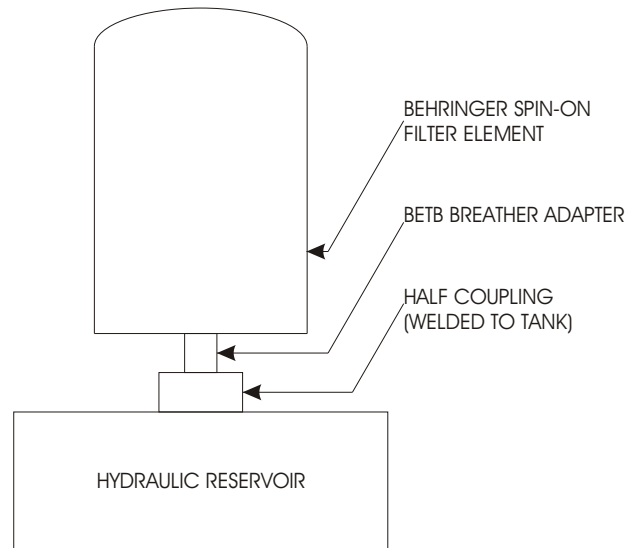
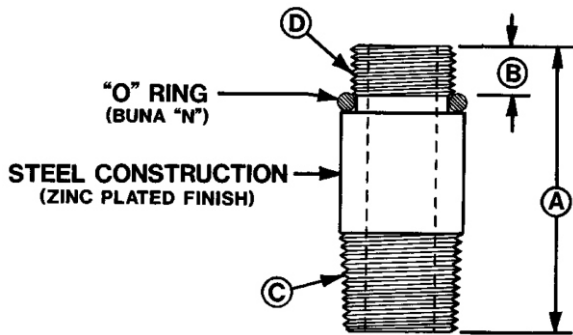


# BETB Breather Adapters



## BETB Breather Adapters

Behringer's BETB breather adapters allow for mounting of industry standard spin-on filter elements to hydraulic reservoirs to be used as tank breathers. They feature male pipe thread on one end for easy integration into reservoir lids that have threaded couplings, and standard 1"-12 and 1 1/2"-16 thread on the opposite end for adapting to the thread in common spin-on filter elements. The spin-on end also has an o-ring to ensure a proper seal.



Adapter Part No.	A Overall Length	B Thread Length	C Male Pipe Thread	D Spin-On Thread
BETB075	2 in. (50.8 mm)	0.5 in. (12.7 mm)	3/4 NPT	1" - 12 UNF-2A
BETB125	3 in. (76.2 mm)	0.5 in. (12.7 mm)	1-1/4 NPT	1 1/2" - 16 UN-2A