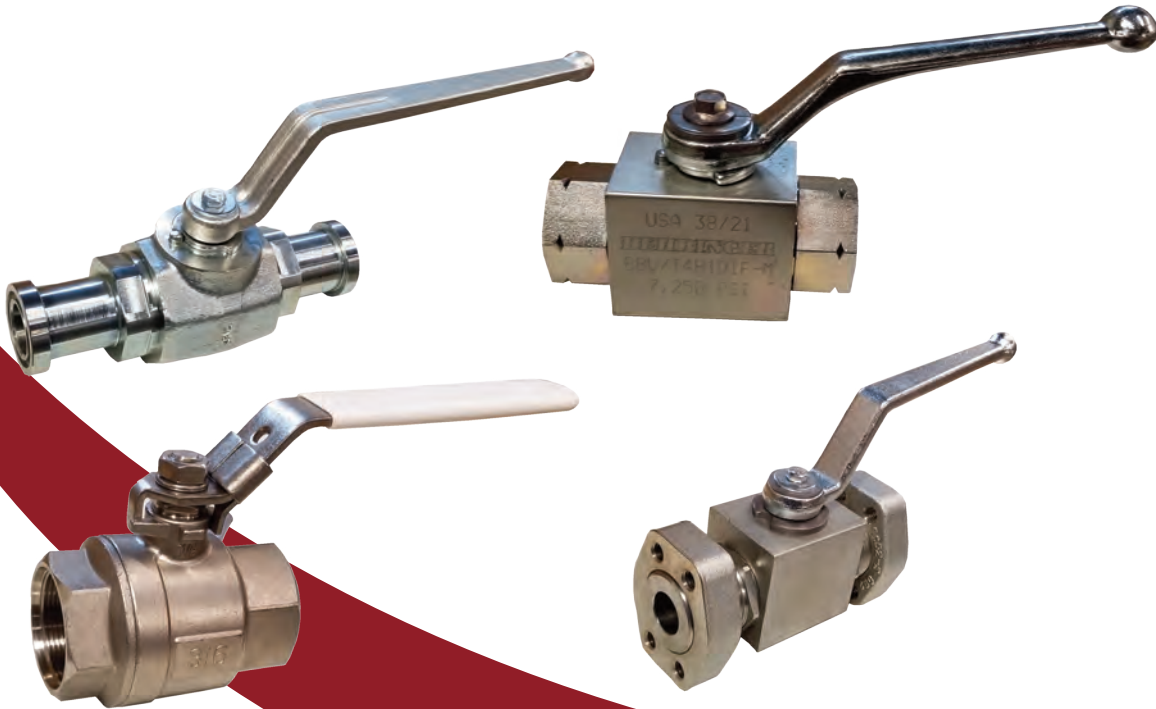



Valves

Ball Valves
Butterfly Valves
Check Valves
Manifold Valves
Needle Valves
Sandwich Plates



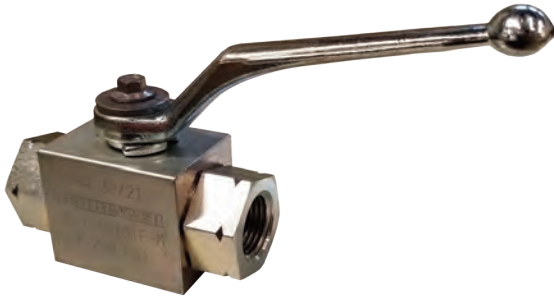
BEHRINGER[®]



The information contained in this document is provided as an aid in properly selecting products and/or options. It is intended to be used by technically experienced users for general reference only. The supplier assumes no responsibility or liability for the accuracy or completeness of this document, as well as results obtained by the use of this information. Due to the variety of possible operating conditions, it is highly recommended that the user make their own tests to determine the safety and suitability of all products and combinations thereof. The user is solely responsible for final determination of such conditions.

Table of Contents

	Page
2-Way Ball Valves (High Pressure)	
Block Body Valves with Threaded Connections	4
Round Body Ball Valves with Threaded Connections	5
Block Body Valves with Split Flange Adapters	6
Round Body Valves with Split Flange Adapters	7
Ball Valves with Full Flange Ends	8
Ball Valves with Bolt Flange Forged Body	9
3-Way Ball Valves (High Pressure)	
Block Body Diverter Valves Threaded Connections	10
Manifold Ball Valves	
2-Way Manifold Mount Ball Valves	11
3-Way Manifold Mount Ball Valves	12
Check Valve for Manifold Mounting	13-14
Sandwich Plates	
BBV/SP-D03 Sandwich Plate	15
BBV/SP-D05 Sandwich Plate	16
BBV/SP-D07 Sandwich Plate	17
BBV/SP-D08 Sandwich Plate	18
Flow Control/Check Valves	
Flow Control Check Valve	19
Needle Valves	20
Hard Seat Check Valves	21
Low Pressure Valves	
2-Way Low Pressure	22
Brass Ball Valve	23-24
Direct Mount 3-Way Ball Valve	25-26
Butterfly Valves	
Wafer Butterfly valves	27-28
Lug butterfly valves	29-30

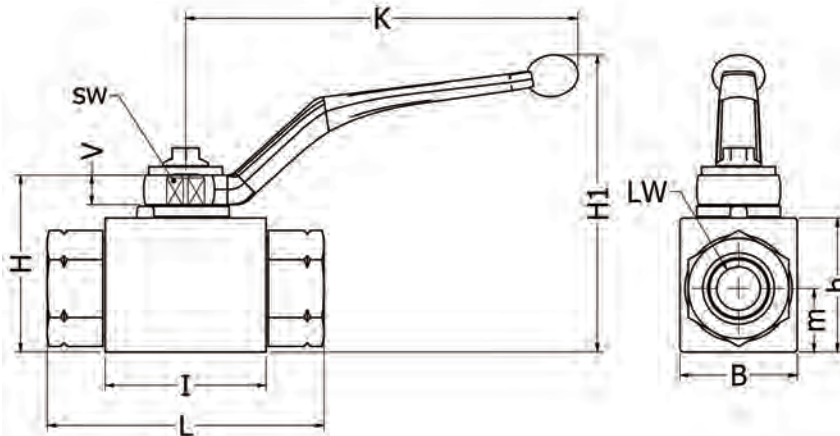


Behringer 2-Way Ball Valves

Block Body Valves with Threaded Connections
Size Range: 1/4" - 1 1/2"

Features:

- Chrome Plated Steel Material (Stainless Steel Optional).
- Full Port Valves.
- Delrin Ball Seats (Others available on request).
- Viton O-rings (Others available on request).
- Zinc Iron Plated.
- Temp Range -20°F to 212°F.
- Hard Chrome-Plated Ball.
- Other options available upon request.



High Pressure Block Body Valves 1/4 - 1 1/2			Working Pressure		Dimensions (in.)											Lever Material
Size	Thread Type	Part Number	PSI	Bar	I	L	B	H	h	m	V	SW	K	H1	LW	
1/4	NPT	BBV/T2H1D1F-M	7250	500	1.57	2.71	1.02	1.85	1.3	0.53	0.43	0.35	4.53	3.23	0.24	Zinc
	BSP	BBV/G2H1D1F-M	7250	500	1.57	2.71	1.02	1.85	1.3	0.53	0.43	0.35	4.53	3.23	0.24	Zinc
	SAE	BBV/O2H1D1F-M	7250	500	1.57	2.71	1.02	1.85	1.3	0.53	0.43	0.35	4.53	3.23	0.2	Zinc
3/8	NPT	BBV/T3H1D1F-M	7250	500	1.69	2.83	1.26	2.05	1.5	0.69	0.43	0.35	4.53	3.39	0.39	Zinc
	BSP	BBV/G3H1D1F-M	7250	500	1.69	2.83	1.26	2.05	1.5	0.69	0.43	0.35	4.53	3.39	0.39	Zinc
	SAE	BBV/O3H1D1F-M	7250	500	1.69	2.83	1.26	2.05	1.5	0.69	0.43	0.35	4.53	3.39	0.39	Zinc
1/2	NPT	BBV/T4H1D1F-M	7250	500	1.89	3.26	1.38	2.13	1.57	0.75	0.43	0.35	4.53	3.5	0.51	Zinc
	BSP	BBV/G4H1D1F-M	7250	500	1.89	3.26	1.38	2.13	1.57	0.75	0.43	0.35	4.53	3.5	0.51	Zinc
	SAE	BBV/O4H1D1F-M	7250	500	1.89	3.26	1.38	2.13	1.57	0.75	0.43	0.35	4.53	3.5	0.51	Zinc
3/4	NPT	BBV/T5H1D1F-M	6090	420	2.44	3.74	1.93	2.95	2.24	0.96	0.55	0.55	6.73	4.37	0.79	Steel
	BSP	BBV/G5H1D1F-M	6090	420	2.44	3.74	1.93	2.95	2.24	0.96	0.55	0.55	6.73	4.37	0.79	Steel
	SAE	BBV/O5H1D1F-M	6090	420	2.44	3.74	1.93	2.95	2.24	0.96	0.55	0.55	6.73	4.37	0.79	Steel
1	NPT	BBV/T6H1D1F-M	5075	350	2.6	4.45	2.28	3.27	2.56	1.16	0.55	0.55	6.73	5.24	0.98	Steel
	BSP	BBV/G6H1D1F-M	5075	350	2.6	4.45	2.28	3.27	2.56	1.16	0.55	0.55	6.73	5.24	0.98	Steel
	SAE	BBV/O6H1D1F-M	5075	350	2.6	4.45	2.28	3.27	2.56	1.16	0.55	0.55	6.73	5.24	0.98	Steel
1 1/4	NPT	BBV/T7H1D1F-M-S	5075	350	2.6	4.72	2.28	3.27	2.56	1.16	0.55	0.55	6.73	5.24	0.98	Steel
	BSP	BBV/G7H1D1F-M-S	5075	350	2.6	4.72	2.28	3.27	2.56	1.16	0.55	0.55	6.73	5.24	0.98	Steel
	SAE	BBV/O7H1D1F-M-S	5075	350	2.6	4.72	2.28	3.27	2.56	1.16	0.55	0.55	6.73	5.24	0.98	Steel
1 1/2	NPT	BBV/T8H1D1F-M-S	5075	350	2.6	5.12	2.28	3.27	2.56	1.16	0.55	0.55	6.73	5.24	0.98	Steel
	BSP	BBV/G8H1D1F-M-S	5075	350	2.6	5.12	2.28	3.27	2.56	1.16	0.55	0.55	6.73	5.24	0.98	Steel
	SAE	BBV/O8H1D1F-M-S	5075	350	2.6	5.12	2.28	3.27	2.56	1.16	0.55	0.55	6.73	5.24	0.98	Steel

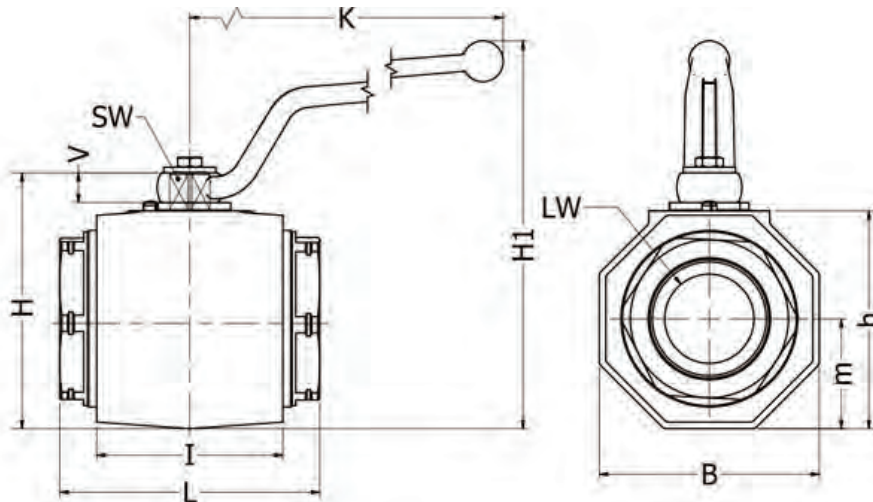
Behringer 2-Way Ball Valves



Round Body Valves with Threaded Connections
Size Range: 1-1/4" - 2"

Features:

- Forged Body.
- Chrome Plated Steel Material (Stainless Steel Optional).
- Full Port Valves.
- Delrin Ball Seats (Others available on request).
- Viton O-rings (Others available on request).
- Zinc Iron Plated.
- Temp Range -20°F to 212°F.
- Hard Chrome-Plated Ball.
- Other options available upon request.



High Pressure Forged Body Valves 1-1/4 - 2			Working Pressure		Dimensions (in.)											Lever Material
Size	Thread Type	Part Number	PSI	Bar	l	L	B	H	h	m	V	SW	K	H1	LW	
1 1/4	NPT	BBV/T7H1D1F-M	6090	420	3.15	4.37	3.19	4.21	3.39	1.60	0.65	0.67	12.05	6.97	1.26	Steel
	BSP	BBV/G7H1D1F-M	6090	420	3.15	4.37	3.19	4.21	3.39	1.60	0.65	0.67	12.05	6.97	1.26	Steel
	SAE	BBV/O7H1D1F-M	6090	420	3.15	4.37	3.19	4.21	3.39	1.60	0.65	0.67	12.05	6.97	1.18	Steel
1 1/2	NPT	BBV/T8H1D1F-M	6090	420	3.35	5.11	3.94	4.88	4.06	1.97	0.65	0.67	12.05	7.64	1.50	Steel
	BSP	BBV/G8H1D1F-M	6090	420	3.35	5.11	3.94	4.88	4.06	1.97	0.65	0.67	12.05	7.64	1.50	Steel
	SAE	BBV/O8H1D1F-M	6090	420	3.35	5.11	3.94	4.88	4.06	1.97	0.65	0.67	12.05	7.64	1.50	Steel
2	NPT	BBV/T9H1D1F-M	6090	420	3.94	5.51	4.65	5.43	4.61	2.32	0.65	0.67	12.05	8.23	1.89	Steel
	BSP	BBV/G9H1D1F-M	6090	420	3.94	5.51	4.65	5.43	4.61	2.32	0.65	0.67	12.05	8.23	1.89	Steel
	SAE	BBV/O9H1D1F-M	6090	420	3.94	5.51	4.65	5.43	4.61	2.32	0.65	0.67	12.05	8.23	1.77	Steel

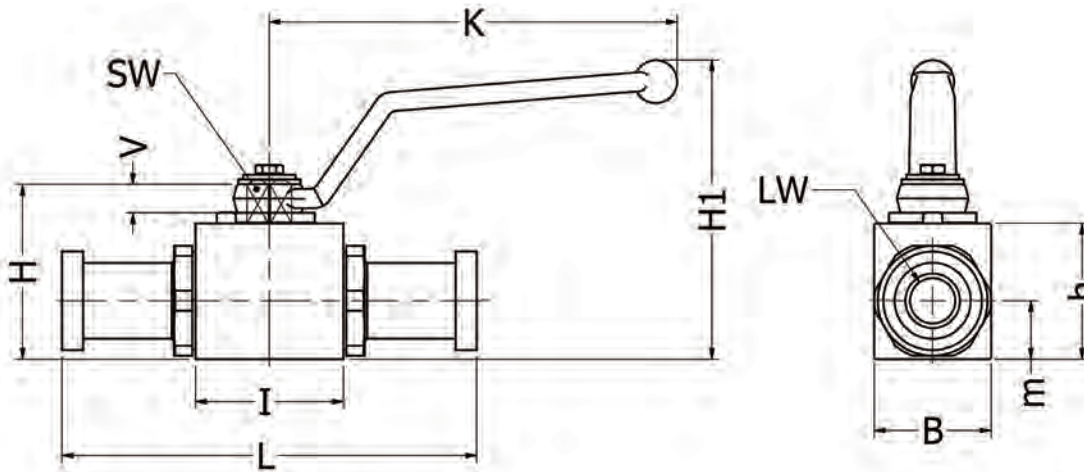


Behringer 2-Way Ball Valves

Block Body Valves with Split Flange Adapters
Size Range: 1/2" - 1"

Features:

- SAE Code 61 or Code 62 Split Flange Ends.
- Chrome Plated Steel Material (Stainless Steel Optional).
- Full Port Valves.
- Delrin Ball Seats (Others available on request).
- Viton O-rings (Others available on request).
- Zinc Iron Plated.
- Temp Range -20°F to 212°F.
- Hard Chrome-Plated Ball.
- Other options available upon request.



Split Flange Block Body Valves 1/2"-1" Code 61/62			Working Pressure		Dimensions (in.)											Lever Material
Size	Code Size	Part Number	PSI	Bar	I	L	B	H	h	m	V	SW	K	H1	LW	
1/2	61	BBV/F3-4H1D1F-M	5075	350	1.89	5.94	1.38	2.13	1.57	0.75	0.43	0.35	4.53	3.5	0.51	Zinc
	62	BBV/F6-4H1D1F-M	6090	420	1.89	5.94	1.38	2.13	1.57	0.75	0.43	0.35	4.53	3.5	0.51	Zinc
3/4	61	BBV/F3-5H1D1F-M	5075	350	2.44	6.38	1.93	2.95	2.24	0.96	0.55	0.55	6.73	4.37	0.75	Steel
	62	BBV/F6-5H1D1F-M	6090	420	2.44	6.85	1.93	2.95	2.24	0.96	0.55	0.55	6.73	4.37	0.75	Steel
1	61	BBV/F3-6H1D1F-M	5075	350	2.6	7.01	2.28	3.27	2.56	1.16	0.55	0.55	6.73	5.24	0.98	Steel
	62	BBV/F6-6H1D1F-M	5075	350	2.6	7.8	2.28	3.27	2.56	1.16	0.55	0.55	6.73	5.24	0.98	Steel

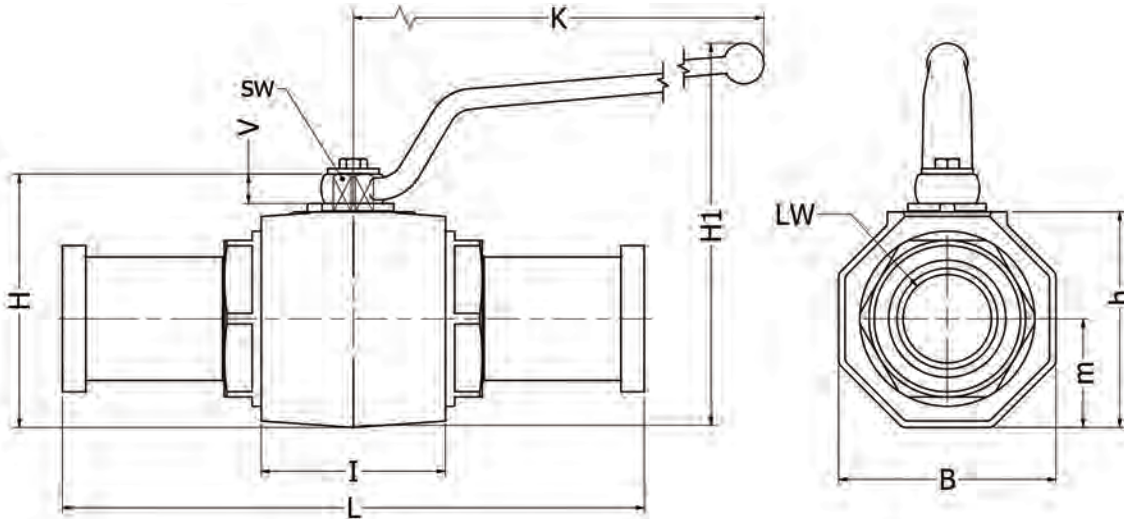
Behringer 2-Way Ball Valves



Round Body Valves with Split Flange Adapters
Size Range: 1-1/4" - 2"

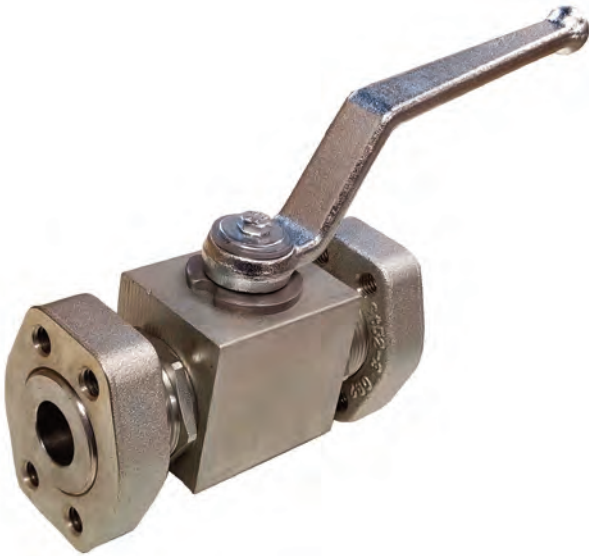
Features:

- Forged Body.
- Chrome Plated Steel Material (Stainless Steel Optional).
- Full Port Valves.
- Delrin Ball Seats (Others available on request).
- Viton O-rings (Others available on request).
- Zinc Iron Plated.
- Temp Range -20°F to 212°F.
- Hard Chrome-Plated Ball.



Split Flange Forged Body Valves 1-1/4"-2" Code 61/62			Working Pressure		Dimensions (in.)											Lever Material
Size	Code Size	Part Number	PSI	Bar	I	L	B	H	h	m	V	SW	K	H1	LW	
1 1/4	61	BBV/F3-7H1D1F-M	4060	280	3.15	7.52	3.19	4.21	3.39	1.59	0.65	0.69	12.05	6.97	1.18	Steel
	62	BBV/F6-7H1D1F-M	6090	420	3.15	8.78	3.19	4.21	3.39	1.59	0.65	0.69	12.05	6.97	1.18	Steel
1 1/2	61	BBV/F3-8H1D1F-M	3045	210	3.35	9.09	3.94	4.88	4.05	1.97	0.65	0.69	12.05	7.64	1.5	Steel
	62	BBV/F6-8H1D1F-M	6090	420	3.35	11.06	3.94	4.88	4.05	1.97	0.65	0.69	12.05	7.64	1.5	Steel
2	61	BBV/F3-9H1D1F-M	3045	210	3.94	9.13	4.65	5.43	4.61	2.32	0.65	0.69	12.05	8.23	1.89	Steel
	62	BBV/F6-9H1D1F-M	6090	420	3.94	12.44	4.65	5.43	4.61	2.32	0.65	0.69	12.05	8.23	1.89	Steel

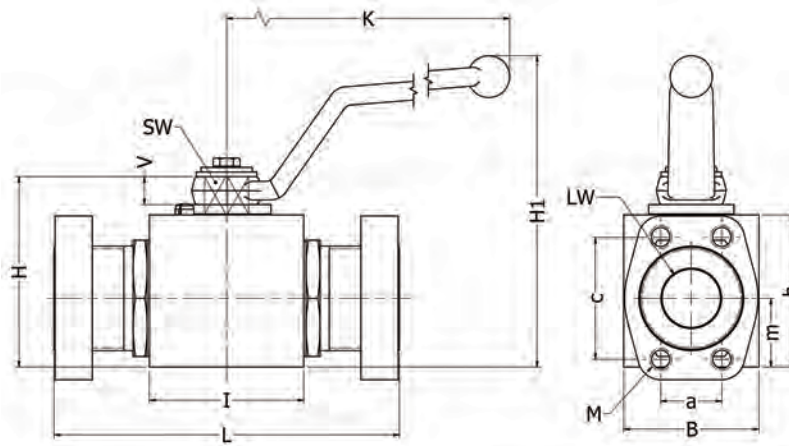
Behringer 2-Way Ball Valves



Ball Valves with Full Flange Ends
Size Range: 1/2" - 1"

Features:

- SAE Code 61 or Code 62 Full Flange Ends.
- Chrome Plated Steel Material (Stainless Steel Optional).
- Full Port Valves.
- Delrin Ball Seats (Others available on request).
- Viton O-rings (Others available on request).
- Zinc Iron Plated.
- Temp Range -20°F to 212°F.
- Hard Chrome-Plated Ball.
- Other options available upon request.



SAE Bolt Flange Block Body Valves 1/2"-1" Code 61/62			Working Pressure		Dimensions (in.)										Connection Dimensions (in.)				Lever Material
Size	Code Size	Part Number	PSI	Bar	I	L	B	H	h	m	V	SW	K	H1	LW	a	c	M	
1/2	61	BBV/BF3-4H1D1F-M	5075	350	1.89	4.72	1.38	2.13	1.57	0.75	0.43	.35	4.53	3.50	0.51	0.69	1.50	5/16	Zinc
	62	BBV/BF6-4H1D1F-M	6090	420	1.89	4.72	1.38	2.13	1.57	0.75	0.43	.35	4.53	3.50	0.51	0.72	1.59	5/16	Zinc
3/4	61	BBV/BF3-5H1D1F-M	5075	350	2.44	5.35	1.93	2.95	2.24	0.97	0.55	.55	6.73	4.37	0.79	0.87	1.87	3/8	Steel
	62	BBV/BF6-5H1D1F-M	6090	420	2.44	5.35	1.93	2.95	2.24	0.97	0.55	.55	6.73	4.37	0.79	0.94	2.00	3/8	Steel
1	61	BBV/BF3-6H1D1F-M	5075	350	2.6	5.83	2.28	3.27	2.56	1.16	0.55	.55	6.73	5.24	0.98	1.03	2.06	3/8	Steel
	62	BBV/BF6-6H1D1F-M	5075	350	2.6	5.83	2.28	3.27	2.56	1.16	0.55	.55	6.73	5.24	0.98	1.09	2.25	7/16	Steel

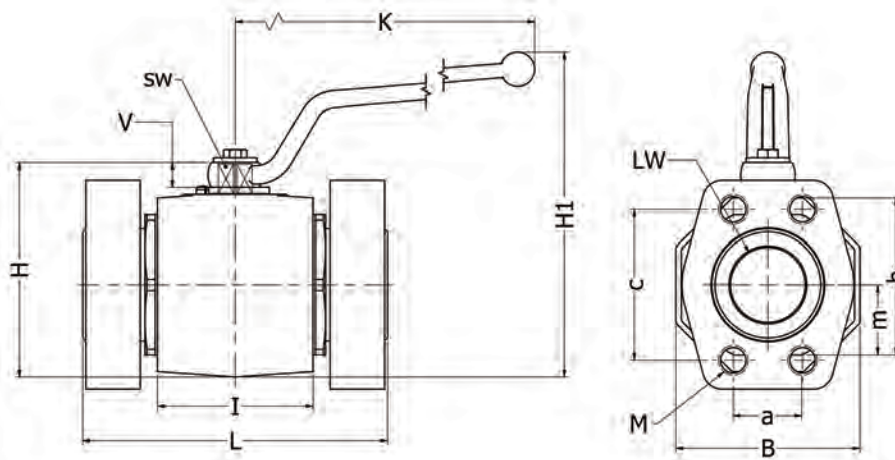


Behringer 2-Way Ball Valves

Ball Valves with Bolt Flange Forged Body
Size Range: 1 1/4" - 2"

Features:

- SAE Code 61 or Code 62 Full Flange Ends.
- Chrome Plated Steel Material (Stainless Steel Optional).
- Full Port Valves.
- Delrin Ball Seats (Others available on request).
- Viton O-rings (Others available on request).
- Zinc Iron Plated.
- Temp Range -20°F to 212°F.
- Hard Chrome-Plated Ball.
- Other options available upon request.



SAE Bolt Flange Forge Body Valves 1-1/4"-2" Code 61/62			Working Pressure		Dimensions (in.)										Connection Dimensions (in.)			Lever Material
Size	Code Size	Part Number	PSI	Bar	I	L	B	H	h	m	V	SW	K	H1	LW	a	M	
1 1/4	61	BBV/BF3-7H1D1F-M	4060	280	3.15	6.77	3.19	4.21	3.39	1.59	0.65	.67	12.05	6.97	1.26	1.19	7/16	Steel
	62	BBV/BF6-7H1D1F-M	6090	420	3.15	6.77	3.19	4.21	3.39	1.59	0.65	.67	12.05	6.97	1.26	1.25	1/2	Steel
1 1/2	61	BBV/BF3-8H1D1F-M	3045	210	3.35	6.97	3.94	4.88	4.05	1.97	0.65	.67	12.05	7.64	1.5	1.41	1/2	Steel
	62	BBV/BF6-8H1D1F-M	6090	420	3.35	6.97	3.94	4.88	4.05	1.97	0.65	.67	12.05	7.64	1.5	1.44	5/8	Steel
2	61	BBV/BF3-9H1D1F-M	3045	210	3.94	7.72	4.65	5.43	4.61	2.32	0.65	.67	12.05	8.23	1.89	1.69	1/2	Steel
	62	BBV/BF6-9H1D1F-M	6090	420	3.94	7.72	4.65	5.43	4.61	2.32	0.65	.67	12.05	8.23	1.89	1.75	3/4	Steel

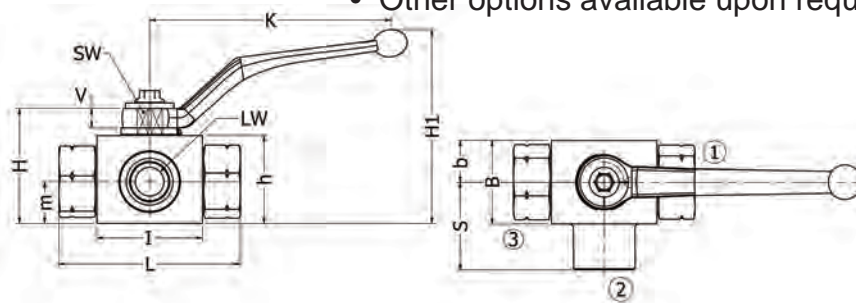
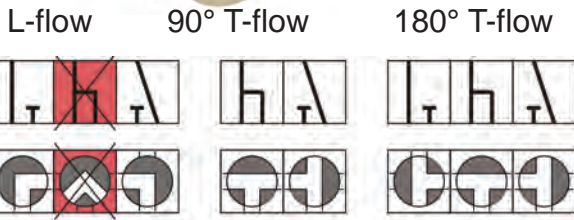
Behringer 3-Way Ball Valves



Block Body Diverter Valves Threaded Connections
Size Range: 1/4" - 2"

Features:

- Chrome Plated Steel Material (Stainless Steel Optional).
- Full Port Valves.
- Delrin Ball Seats (Others available on request).
- Viton O-rings (Others available on request).
- Zinc Iron Plated.
- Temp Range -20°F to 212°F.
- Hard Chrome-Plated Ball.
- L-flow pattern standard, 90° and 180° T-flow.
- Other patterns available on request.
- Other options available upon request.



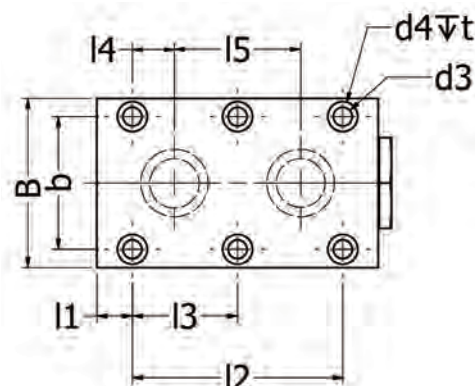
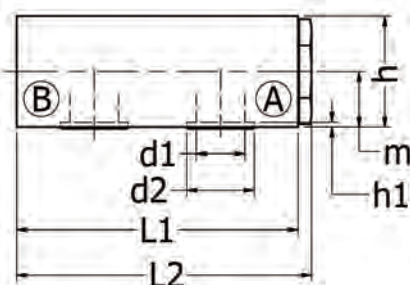
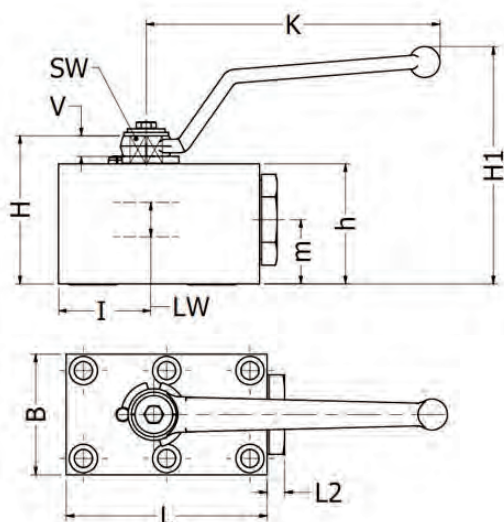
3-Way Diverter Valves 1/4 - 2			Working Pressure		Dimensions (in.)													Lever Material
Size	Thread Type	Part Number	PSI	Bar	I	L	b	B	H	h	m	V	SW	K	H1	S	LW	
1/4	NPT	BBVD/T2H1D1F-M-*	7250	500	1.57	2.71	0.5	1.14	1.85	1.3	0.53	0.43	0.35	4.53	3.23	1.36	0.24	Zinc
	BSP	BBVD/G2H1D1F-M-*	7250	500	1.57	2.71	0.5	1.14	1.85	1.3	0.53	0.43	0.35	4.53	3.23	1.36	0.24	Zinc
	SAE	BBVD/O2H1D1F-M-*	7250	500	1.57	2.71	0.5	1.14	1.85	1.3	0.53	0.43	0.35	4.53	3.23	1.36	0.2	Zinc
3/8	NPT	BBVD/T3H1D1F-M-*	7250	500	1.69	2.83	0.63	1.38	2.05	1.5	0.69	0.43	0.35	4.53	3.39	1.42	0.39	Zinc
	BSP	BBVD/G3H1D1F-M-*	7250	500	1.69	2.83	0.63	1.38	2.05	1.5	0.69	0.43	0.35	4.53	3.39	1.42	0.39	Zinc
	SAE	BBVD/O3H1D1F-M-*	7250	500	1.69	2.83	0.63	1.38	2.05	1.5	0.69	0.43	0.35	4.53	3.39	1.42	0.39	Zinc
1/2	NPT	BBVD/T4H1D1F-M-*	4567	315	1.89	3.27	0.69	1.5	2.13	1.57	0.75	0.43	0.35	4.53	3.5	1.63	0.51	Zinc
	BSP	BBVD/G4H1D1F-M-*	4567	315	1.89	3.27	0.69	1.5	2.13	1.57	0.75	0.43	0.35	4.53	3.5	1.63	0.51	Zinc
	SAE	BBVD/O4H1D1F-M-*	4567	315	1.89	3.27	0.69	1.5	2.13	1.57	0.75	0.43	0.35	4.53	3.5	1.63	0.51	Zinc
3/4	NPT	BBVD/T5H1D1F-M-*	4567	315	2.44	3.74	0.96	2.05	2.95	2.24	0.96	0.55	0.55	6.73	4.37	1.87	0.79	Steel
	BSP	BBVD/G5H1D1F-M-*	4567	315	2.44	3.74	0.96	2.05	2.95	2.24	0.96	0.55	0.55	6.73	4.37	1.87	0.79	Steel
	SAE	BBVD/O5H1D1F-M-*	4567	315	2.44	3.74	0.96	2.05	2.95	2.24	0.96	0.55	0.55	6.73	4.37	1.87	0.79	Steel
1	NPT	BBVD/T6H1D1F-M-*	4567	315	2.6	4.45	1.14	2.4	3.27	2.56	1.16	0.55	0.55	6.73	5.24	2.22	0.98	Steel
	BSP	BBVD/G6H1D1F-M-*	4567	315	2.6	4.45	1.14	2.4	3.27	2.56	1.16	0.55	0.55	6.73	5.24	2.22	0.98	Steel
	SAE	BBVD/O6H1D1F-M-*	4567	315	2.6	4.45	1.14	2.4	3.27	2.56	1.16	0.55	0.55	6.73	5.24	2.22	0.98	Steel
1 1/4	NPT	BBVD/T7H1D1F-M-*	5075	350	3.19	4.72	1.54	-	4.17	3.33	1.54	0.65	0.67	12.05	6.93	2.36	1.18	Steel
	BSP	BBVD/G7H1D1F-M-*	5075	350	3.19	4.37	1.54	-	4.17	3.33	1.54	0.65	0.67	12.05	6.93	2.17	1.18	Steel
	SAE	BBVD/O7H1D1F-M-*	5075	350	3.19	4.37	1.54	-	4.17	3.33	1.54	0.65	0.67	12.05	6.93	2.36	1.18	Steel
1 1/2	NPT	BBVD/T8H1D1F-M-*	5075	350	4.09	5.51	2.08	-	5	4.17	2.08	0.65	0.67	12.05	7.8	2.78	1.5	Steel
	BSP	BBVD/G8H1D1F-M-*	5075	350	4.09	5.11	2.08	-	5	4.17	2.08	0.65	0.67	12.05	7.8	2.56	1.5	Steel
	SAE	BBVD/O8H1D1F-M-*	5075	350	4.09	5.51	2.08	-	5	4.17	2.08	0.65	0.67	12.05	7.8	2.78	1.5	Steel
2	NPT	BBVD/T9H1D1F-M-*	5075	350	4.65	5.9	2.28	4.57	5.39	4.57	2.28	0.65	0.67	12.05	8.19	2.95	1.89	Steel
	BSP	BBVD/G9H1D1F-M-*	5075	350	4.65	5.9	2.28	4.57	5.39	4.57	2.28	0.65	0.67	12.05	8.19	2.95	1.89	Steel
	SAE	BBVD/O9H1D1F-M-*	5075	350	4.65	5.9	2.28	4.57	5.39	4.57	2.28	0.65	0.67	12.05	8.19	2.95	1.89	Steel

10 * blank = L-flow pattern, T = 90° T-flow pattern, T180 = 180° T-flow pattern

Note: Diverter valves utilize a floating ball principal which requires that the pressure in the open ports be greater than the pressure in the closed port in order to seal properly.

Behringer 2-Way Manifold Mount Ball Valves

Ball Valves for Manifold Mounting
Size Range: 1/4" - 2"



Features:

- Block Body.
- Full Port Valves.
- POM Ball Seats (Others available on request).
- FKM/FPM O-rings (Others available on request).
- Zinc Iron Plated (Stainless Steel Optional).
- Temp Range -20°F to 212°F.
- Hard Chrome-Plated Ball.
- Other options available upon request.

2 Way Manifold Mount Valves			Working Pressure		Dimensions (in.)													Lever Material
Size	Series	Part Number	PSI	Bar	I	L	I-7	B	H	h	m	V	SW1	SW2	K	LW	H1	
1/4	2-Way	BBV/M2H1D1F-M	7250	500	1.02	2.24	0.24	1.57	1.69	1.38	0.77	0.24	0.28	0.75	4.53	0.24	2.64	Zinc
3/8	2-Way	BBV/M3H1D1F-M	7250	500	1.14	2.78	0.39	2.17	2.32	1.77	0.96	0.43	0.35	1.18	4.53	0.39	3.66	Zinc
1/2	2-Way	BBV/M4H1D1F-M	6090	420	1.67	3.86	0.39	2.36	2.72	2.17	1.34	0.43	0.35	1.26	4.53	0.51	4.09	Zinc
3/4	2-Way	BBV/M5H1D1F-M	6090	420	2	4.61	0.39	2.78	3.46	2.78	1.48	0.55	0.55	1.81	6.73	0.79	5.43	Steel
1	2-Way	BBV/M6H1D1F-M	6090	420	2.44	5.31	0.39	3.15	3.86	3.15	1.75	0.55	0.55	1.97	6.73	0.98	5.83	Steel
1 1/4	2-Way	BBV/M7H1D1F-M	6090	420	2.95	6.5	0.43	3.94	4.76	3.94	2.15	0.67	0.67	2.78	12.05	1.26	7.56	Steel
1 1/2	2-Way	BBV/M8H1D1F-M	6090	420	3.33	7.87	0.67	5.12	5.16	4.33	2.24	0.67	0.67	3.15	12.05	1.5	7.95	Steel
2	2-Way	BBV/M9H1D1F-M	6090	420	4.17	9.45	0.59	5.91	5.91	5.08	2.8	0.67	0.67	3.54	12.05	1.89	8.7	Steel

2 Way Manifold Mount Valves			Connection Dimensions (in.)															
Size	O-ring (mm)	Dimensions of Screws (MIN)	Torque of Screws in Nm	I-1	I-2	I-3	I-4	I-5	b	d-1	d-2	h-1	d-3	d-4	t	d-5		
1/4	7x2.5	4 x M6x40 - 12.9	14	0.33	1.38	-	0.33	1.38	1.06	0.24	0.46	0.07	0.26	0.41	0.27	-		
3/8	10x2.5	4 x M8x50 - 12.9	35	0.3	2.17	-	0.39	1.73	1.57	0.37	0.59	0.07	0.33	0.53	0.33	-		
1/2	20x2.5	6 x M8x60 - 12.9	35	0.3	3.27	1.63	0.63	2.28	1.77	0.51	0.98	0.07	0.33	0.53	0.28	-		
3/4	23.47x2.62	6 x M10x80 - 12.9	70	0.39	3.82	1.91	0.79	2.72	2	0.79	1.14	0.08	0.41	0.65	0.41	-		
1	29x3	6 x M10x90 - 12.9	70	0.39	4.53	2.26	0.94	3.19	2.36	0.98	1.37	0.09	0.41	0.65	0.41	-		
1 1/4	34.59x2.62	6 x M12x110 - 12.9	110	0.47	5.35	2.68	1.14	3.78	3.07	1.26	1.57	0.08	0.51	0.75	0.47	-		
1 1/2	42.x3	6 x M16x120 - 12.9	300	1.12	4.41	2.2	1.12	4.41	3.74	1.5	1.88	0.09	0.65	0.98	0.75	1.42		
2	54x3	6 x M20x140 - 12.9	600	1.5	5.35	2.68	1.5	5.35	4.41	1.89	2.35	0.09	0.83	1.22	0.85	-		

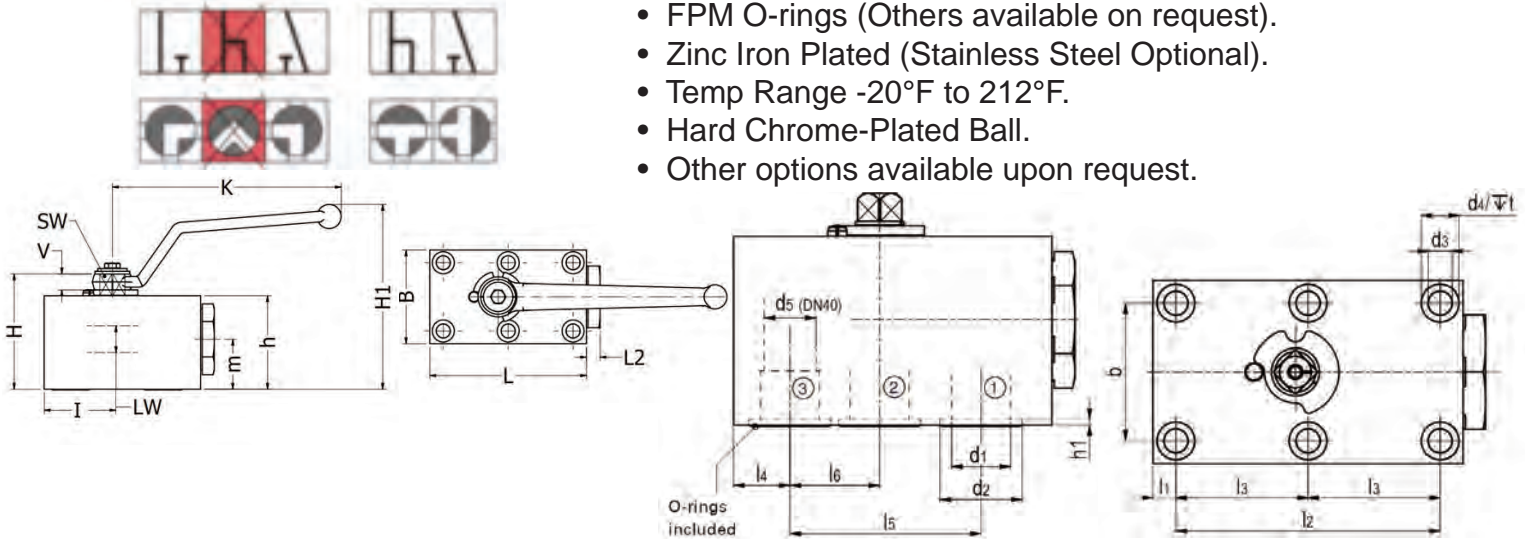
Behringer 3-Way Manifold Mount Ball Valves



Ball Valves for Manifold Mounting
Size Range: 1/4" - 2"

Features:

- Block Body.
- Full Port Valves.
- POM Ball Seats (Others available on request).
- FPM O-rings (Others available on request).
- Zinc Iron Plated (Stainless Steel Optional).
- Temp Range -20°F to 212°F.
- Hard Chrome-Plated Ball.
- Other options available upon request.



3 Way Manifold Mount Valves			Working Pressure		Dimensions (in.)													Lever Material
Size	Series	Part Number	PSI	Bar	I	L	I-7	B	H	h	m	V	SW1	SW2	K	LW	H1	
1/4	3-Way	BBVD/M2H1D1F-M	3625	250	1.02	2.24	0.24	1.57	1.69	1.38	0.77	0.24	0.28	0.75	4.53	0.2	2.64	Zinc
3/8	3-Way	BBVD/M3H1D1F-M	7250	500	1.34	2.95	0.39	2.17	2.32	1.77	0.96	0.43	0.35	1.18	4.53	0.39	3.66	Zinc
1/2	3-Way	BBVD/M4H1D1F-M	5800	400	1.67	3.86	0.39	2.36	2.72	2.17	1.34	0.43	0.35	1.26	4.53	0.51	4.09	Zinc
3/4	3-Way	BBVD/M5H1D1F-M	4567	315	2	4.6	0.39	2.78	3.46	2.78	1.48	0.55	0.55	1.81	6.73	0.79	5.43	Steel
1	3-Way	BBVD/M6H1D1F-M	4567	315	2.44	5.31	0.39	3.15	3.86	3.15	1.75	0.55	0.55	1.97	6.73	0.98	5.83	Steel
1 1/4	3-Way	BBVD/M7H1D1F-M	6090	420	2.95	6.5	0.43	3.94	4.76	3.94	2.15	0.65	0.67	2.78	12.05	1.18	7.56	Steel
1 1/2	3-Way	BBVD/M8H1D1F-M	6090	420	3.33	7.87	0.67	5.12	5.16	4.33	2.24	0.65	0.67	3.15	12.05	1.5	7.95	Steel
2	3-Way	BBVD/M9H1D1F-M	6090	420	4.17	9.45	0.59	5.91	5.91	5.08	2.8	0.65	0.67	3.54	12.05	1.89	8.7	Steel

3 Way Manifold Mount Valves		Connection Dimensions (in.)																
Size	O-ring (mm)	Dimensions of Screws (MIN)	Torque of Screws in Nm	I-1	I-2	I-3	I-4	I-5	I-6	b	d-1	d-2	h-1	d-3	d-4	t	d-5	
1/4	7x2.5	4 x M6x40 - 12.9	14	0.33	1.38	-	0.33	1.38	0.69	1.06	0.24	0.46	0.07	0.26	0.41	0.27	-	
3/8	10x2.5	4 x M8x50 - 12.9	35	0.49	2.17	-	0.59	1.73	0.75	1.57	0.37	0.59	0.07	0.33	0.53	0.33	-	
1/2	20x2.5	6 x M8x60 - 12.9	35	0.3	3.27	1.63	0.63	2.28	1.04	1.77	0.51	0.98	0.07	0.33	0.53	0.28	-	
3/4	23.47x2.62	6 x M10x80 - 12.9	70	0.39	3.82	1.91	0.79	2.72	1.22	2	0.79	1.14	0.08	0.41	0.65	0.41	-	
1	29x3	6 x M10x90 - 12.9	70	0.39	4.53	2.26	0.94	3.19	1.5	2.36	0.98	1.37	0.09	0.41	0.65	0.41	-	
1 1/4	34.59x2.62	6 x M12x110 - 12.9	110	0.47	5.35	2.68	1.14	3.78	1.81	3.07	1.26	1.57	0.08	0.51	0.75	0.47	-	
1 1/2	42.x3	6 x M16x120 - 12.9	300	1.12	4.41	2.2	1.12	4.41	2.2	3.74	1.5	1.88	0.09	0.65	0.98	0.75	1.42	
2	54x3	6 x M20x140 - 12.9	600	1.5	5.35	2.68	1.5	5.35	2.68	4.41	1.89	2.35	0.09	0.83	1.22	0.85	-	

Behringer Check Valve for Manifold Mounting



Porting Pattern



Check Valve Manifold Mounting

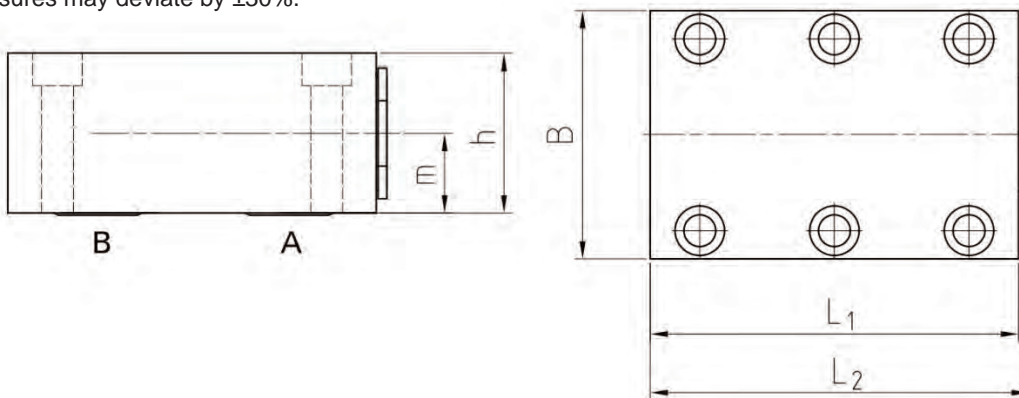
Size Range: DN6 -DN40 (1/8" to 2")

Features:

- Chrome Plated Steel Material (Stainless Steel Optional).
- FKM O-rings.
- Tmin/Tmax -20°F/212°F
- Cracking Pressure: 7.25 psi
*Option: Cracking pressure 65.25 psi
- Other options available upon request.

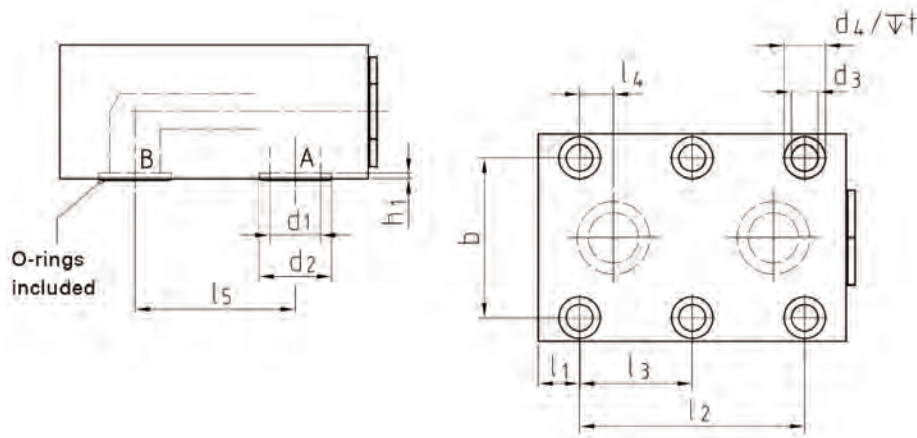


Due to spring and manufacturing tolerances cracking pressures may deviate by $\pm 30\%$.



Check Valve for Manifold Mounting			Working Pressure		Dimensions (in.)				
Size	Spring	Part Number	PSI	Bar	m	h	B	L1	L2
1/8	7 PSI	BCV/M2-1-7	5075	350	0.31	0.63	1.63	1.63	1.85
	65 PSI	BCV/M2-1-65	5075	350	0.31	0.63	1.63	1.63	1.85
1/4	7 PSI	BCV/M2.5-1-7	5075	350	0.39	0.79	1.81	2.5	2.78
	65 PSI	BCV/M.2.5-1-65	5075	350	0.39	0.79	1.81	2.5	2.78
3/8	7 PSI	BCV/M3-1-7	5075	350	0.49	0.98	2	2.78	2.95
	65 PSI	BCV/M3-1-65	5075	350	0.49	0.98	2	2.78	2.95
1/2	7 PSI	BCV/M4-1-7	5075	350	0.62	1.26	2.26	3.15	3.39
	65 PSI	BCV/M4-1-65	5075	350	0.62	1.26	2.26	3.15	3.39
3/4	7 PSI	BCV/M5-1-7	5075	350	0.89	1.77	2.76	4.09	4.33
	65 PSI	BCV/M5-1-65	5075	350	0.89	1.77	2.76	4.09	4.33
1	7 PSI	BCV/M6-1-7	5075	350	0.98	1.97	3.01	5	5.24
	65 PSI	BCV/M6-1-65	5075	350	0.98	1.97	3.01	5	5.24
1 1/4	7 PSI	BCV/M7-1-7	5075	350	1.08	2.17	3.94	6.5	6.73
	65 PSI	BCV/M7-1-65	5075	350	1.08	2.17	3.94	6.5	6.73
1 1/2	7 PSI	BCV/M8-1-7	5075	350	1.48	2.95	4.53	7.32	7.56
	65 PSI	BCV/M8-1-65	5075	350	1.48	2.95	4.53	7.32	7.56
2	7 PSI	BCV/M9-1-7	5075	350	1.97	3.94	5.51	7.56	8.11
	65 PSI	BCV/M9-1-65	5075	350	1.97	3.94	5.51	7.56	8.11

BEHRINGER®



Check Valve for Manifold Mounting		Connection Dimensions (in.)													
Size	O-ring (mm)	Dimensions of Screws (MIN)	Torque of Screws in Nm	b	l-1	l-2	l-3	l-4	l-5	d-1	d-2	h-1	d-3	d-4	t
1/8	6.35x1.78	4 x M6x20 - 8.8	9	1.12	0.25	0.75	-	0.06	0.63	0.2	0.39	0.05	0.23	0.41	0.27
1/4	8.5x2	4 x M6x25 - 8.8	9	1.32	0.56	1.38	-	0.18	1	0.28	0.49	0.06	0.23	0.41	0.27
3/8	12x2	4 x M6x30 - 10.9	12	1.5	0.71	1.32	-	0.16	1	0.39	0.62	0.06	0.23	0.41	0.27
1/2	15x2	4 x M6x35 - 12.9	14	1.75	0.83	1.5	-	0.16	1.18	0.51	0.74	0.06	0.23	0.41	0.27
3/4	19x2.5	6 x M8x50 - 10.9	30	2.13	0.55	2.99	1.5	0.45	2.13	0.69	0.94	0.07	0.33	0.53	0.35
1	25x3	6 x M8x55 - 12.9	35	2.36	0.63	3.74	1.87	0.75	2.24	0.87	1.2	0.09	0.33	0.53	0.35
1 1/4	32x3	6 x M10x60 - 12.9	70	2.99	0.59	4.72	2.36	0.81	3.13	1.12	1.48	0.09	0.41	0.65	0.43
1 1/2	38x3	6 x M12x85 - 10.9	100	3.62	0.59	5.63	2.81	0.94	3.74	1.38	1.71	0.09	0.51	0.75	0.51
2	52x3	6 x M12x110 - 12.9	130	4.37	0.63	5.23	2.63	1	3.5	1.87	2.26	0.09	0.51	0.75	0.51

(1) Fixing screws not included.

We recommend screws as per 1504762 (DIN 912). The indicated property classes and torques represent our recommended guidelines at a friction coefficient of 14%.



Leakage rate of check valve DIN EN 12266
- leakage rate C-D (test medium water)

Table 1 Table 2 Table 3

How To Order:

BCV/M2 - 1 - 7

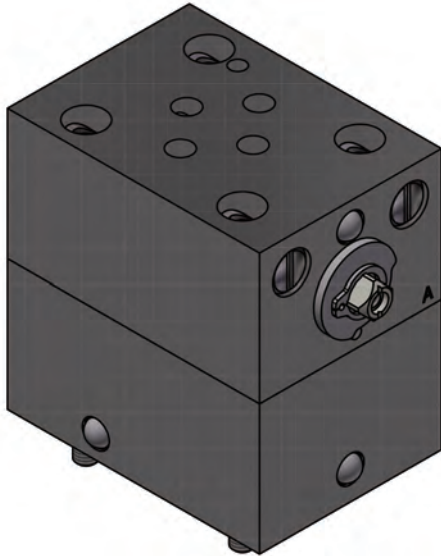
Table 1: Connect Size	
Code	Size
1	1/8"
2	1/4"
2.5	5/16"
3	3/8"
4	1/2"
4.5	5/8"
5	3/4"
6	1"
7	1 1/4"
8	1 1/2"

Table 2: Material	
Code	Description
1	Steel
2	Stainless Steel

Table 3: Cracking Pressure (psi)
7
65

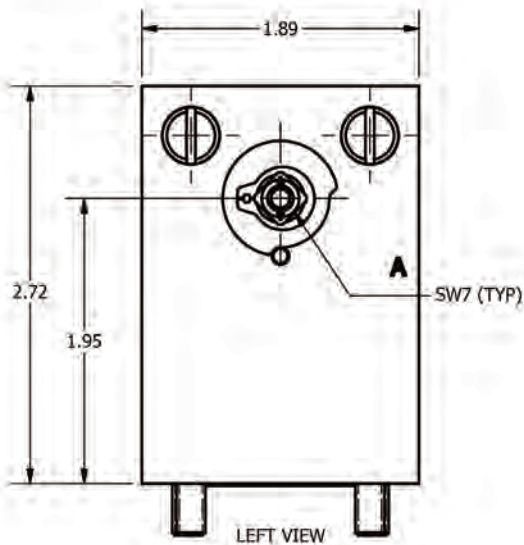
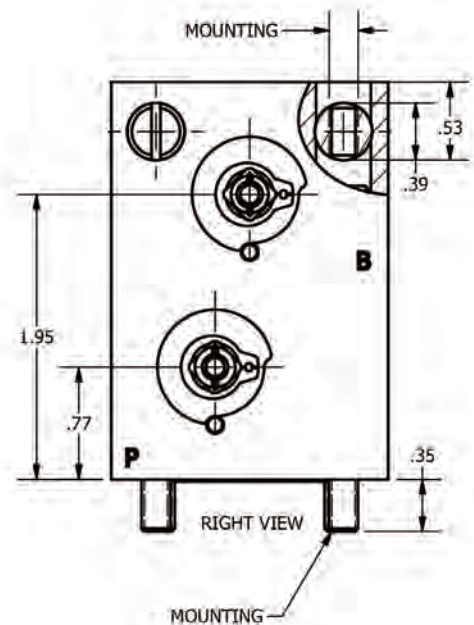
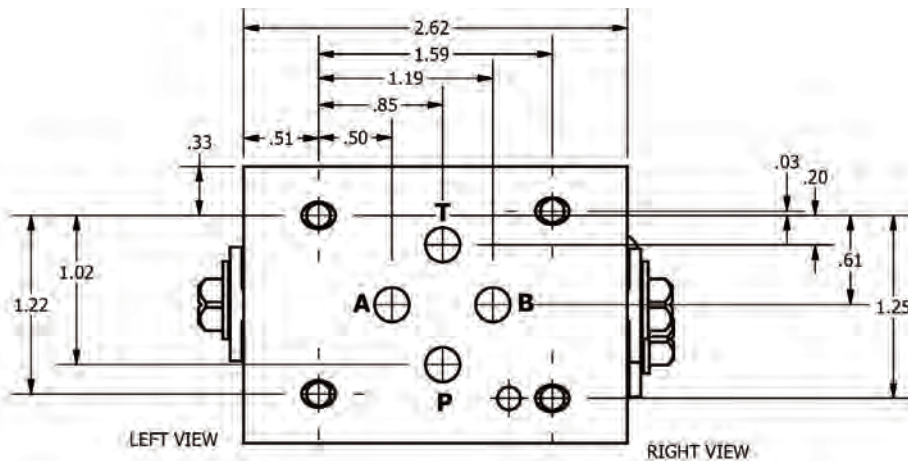
BBV/SP-DO3 Sandwich Plate

Sandwich Plates



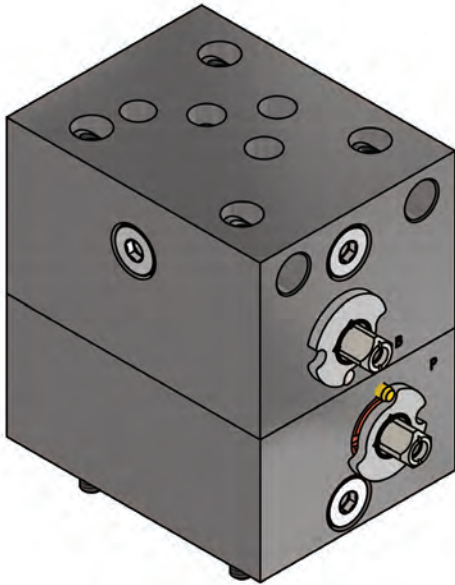
Features:

- MAWP 4,500 psi [315 bar] (Stainless Steel Optional).
- Ball valves : P, A, B.
- Check valve : T.
- Mounting : 10-24" UNC or M5.
- Housing : Steel, plated.
- Ball and stem : Steel.
- Seats : POM.
- O-ring : FPM.
- Lockouts Optional.



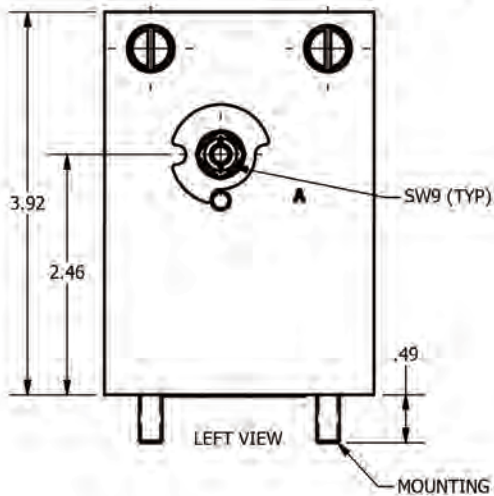
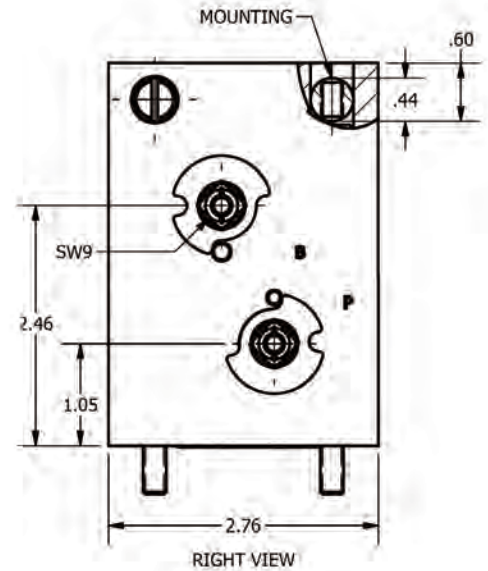
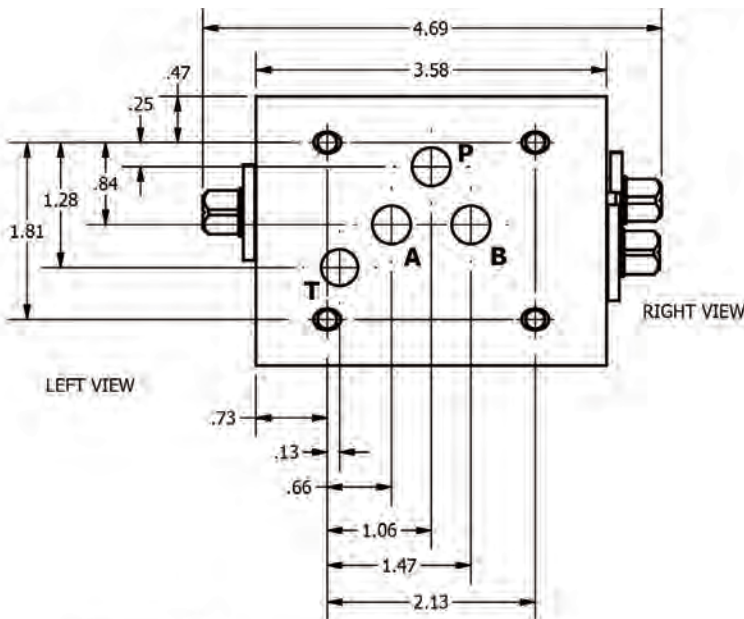
BBV/SP-DO5 Sandwich Plate

Sandwich Plates



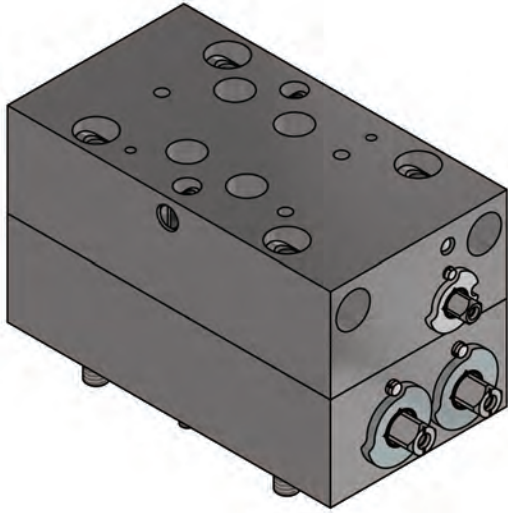
Features:

- MAWP 4,500 psi [315 bar] (Stainless Steel Optional).
- Ball valves : P, A, B.
- Check valve : T.
- Mounting : 1/4" UNC or M6.
- Housing : Steel, plated.
- Ball and stem : Steel.
- Seats : POM.
- O-ring : FPM.
- Lockouts Optional.



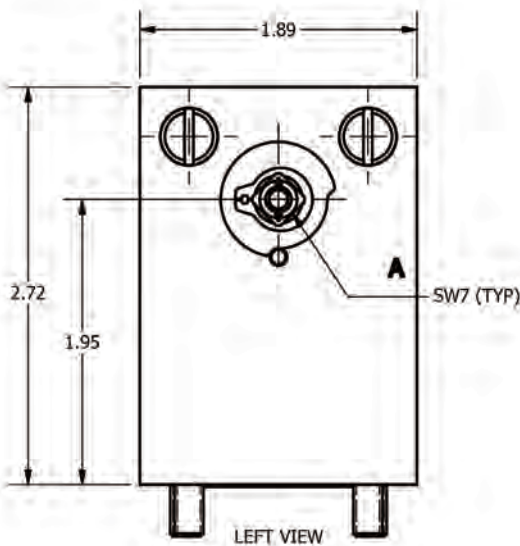
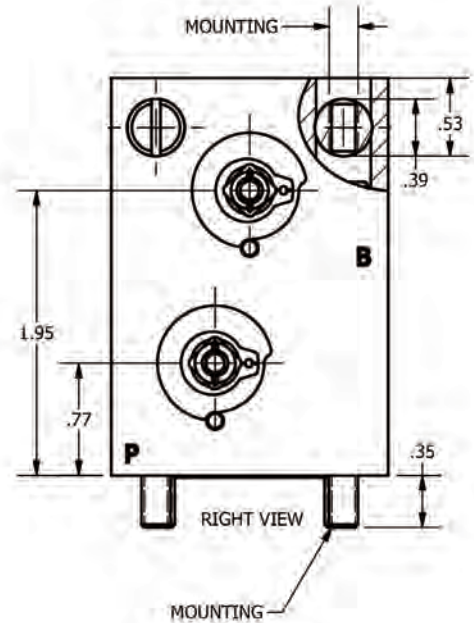
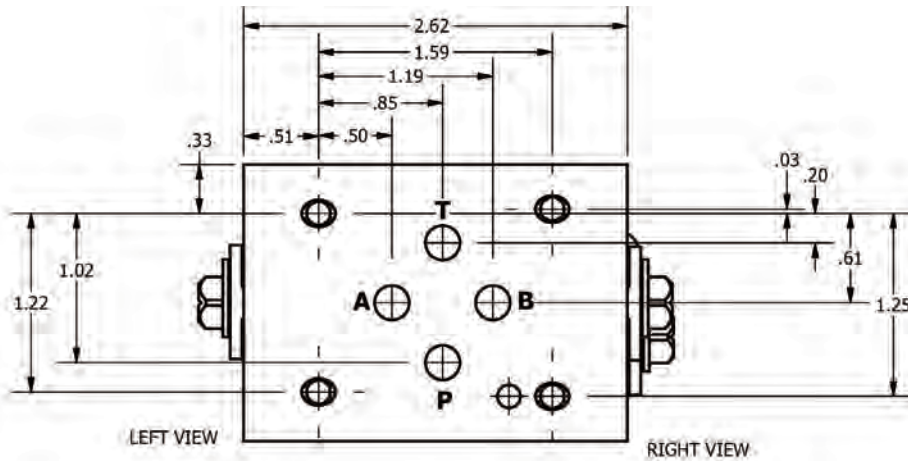
BBV/SP-DO7 Sandwich Plate

Sandwich Plates



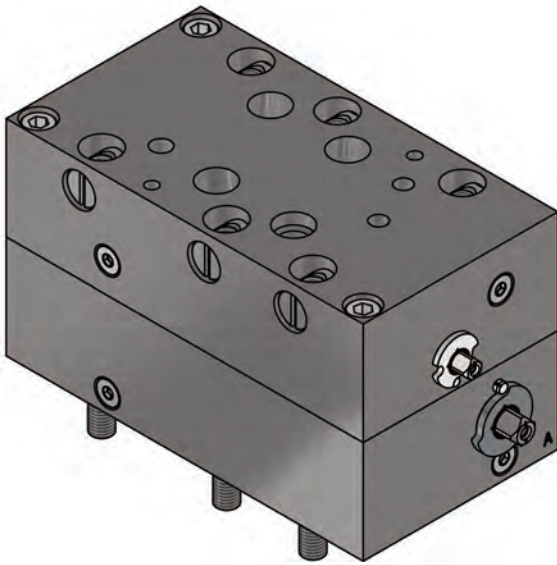
Features:

- MAWP 4,500 psi [315 bar] (Stainless Steel Optional).
- Ball valves : P, A, B, X.
- Check valve : T.
- Pass thru: L, Y
- Mounting : 4X 38" UNC + 2X 1/4" UNC or 4X M10 + 2X M6.
- Housing : Steel, plated.
- Ball and stem : Steel.
- Seats : POM.
- O-ring : FPM.
- Lockouts Optional.



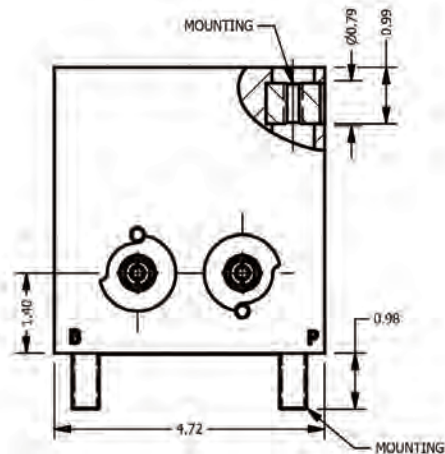
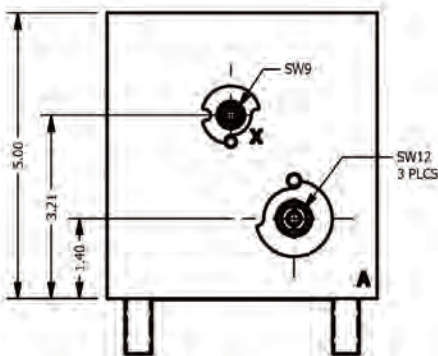
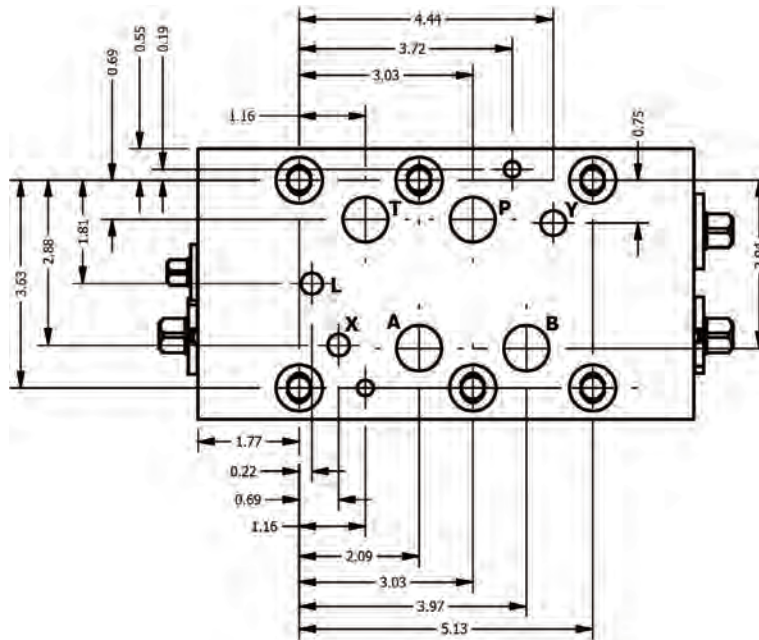
BBV/SP-DO8 Sandwich Plate

Sandwich Plates



Features:

- MAWP 4,500 psi [315 bar] (Stainless Steel Optional).
- Ball valves : P, A, B, X.
- Check valve : T.
- Pass thru: L, Y.
- Mounting : 1/2" UNC or M12.
- Housing : Steel, plated.
- Ball and stem : Steel.
- Seats : POM.
- O-ring : FPM.
- Lockouts Optional.





Behringer Flow Control Check Valve

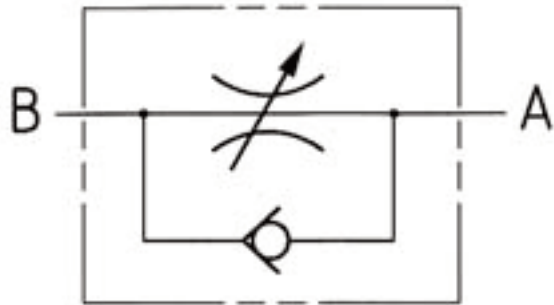
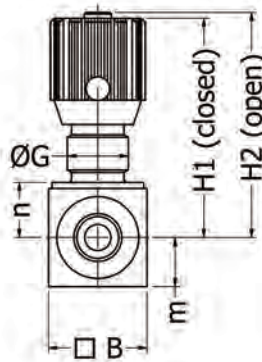
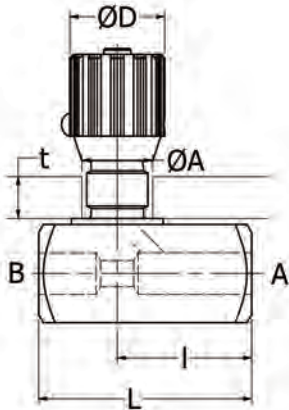
For Piping System Assembly

Size Range: DN6 -DN40 (1/8" to 2")

Features:

- Steel / Stainless Steel
- NBR, FPM O-rings.
- Tmin/Tmax -20°F/212°F
- Cracking Pressure:
- *Option: Cracking pressure

7.25 psi
65.25 psi



Flow Control Valves			Maximum Pressure		Dimensions (in.)										Mounting Thread (G)	Panel Thickness
Size	Thread Type	Part Number	PSI	Bar	H1	H2	m	n	B	I	L	D	A			
1/8	NPT	BFCV/T1H1D1F-M	5075	350	2	2.2	0.31	0.39	0.63	1.02	1.77	0.94	0.51	Pg 7	0.16	
	SAE	BFCV/O1H1D1F-M	5075	350	2	2.2	0.31	0.39	0.63	1.02	1.77	0.94	0.51	Pg 7	0.16	
1/4	NPT	BFCV/T2H1D1F-M	5075	350	2.56	2.8	0.5	0.57	0.98	1.32	2.17	1.14	0.75	Pg 11	0.28	
	SAE	BFCV/O2H1D1F-M	5075	350	2.56	2.8	0.5	0.57	0.98	1.32	2.17	1.14	0.75	Pg 11	0.28	
3/8	NPT	BFCV/T3H1D1F-M	5075	350	2.68	2.95	0.59	0.67	1.18	1.61	2.56	1.14	0.75	Pg 11	0.28	
	SAE	BFCV/O3H1D1F-M	5075	350	2.68	2.95	0.59	0.67	1.18	1.61	2.56	1.14	0.75	Pg 11	0.28	
1/2	NPT	BFCV/T4H1D1F-M	5075	350	3.23	3.62	0.69	0.83	1.38	1.73	2.87	1.5	0.91	Pg 16	0.28	
	SAE	BFCV/O4H1D1F-M	5075	350	3.23	3.62	0.69	0.83	1.38	1.73	2.87	1.5	0.91	Pg 16	0.28	
3/4	NPT	BFCV/T5H1D1F-M	5075	350	3.78	4.17	0.89	1.02	1.77	2.24	3.46	1.5	0.91	Pg 16	0.28	
	SAE	BFCV/O5H1D1F-M	5075	350	3.78	4.17	0.89	1.02	1.77	2.24	3.46	1.5	0.91	Pg 16	0.28	
1	NPT	BFCV/T6H1D1F-M	5075	350	4.77	5.28	0.98	1.18	1.97	3.03	5	1.93	1.5	Pg 29	0.39	
	SAE	BFCV/O6H1D1F-M	5075	350	4.77	5.28	0.98	1.18	1.97	3.03	5	1.93	1.5	Pg 29	0.39	
1 1/4	NPT	BFCV/T7H1D1F-M	5075	350	4.96	5.47	1.18	1.38	2.36	3.66	5.63	1.93	1.5	Pg 29	0.39	
	SAE	BFCV/O7H1D1F-M	5075	350	4.96	5.47	1.18	1.38	2.36	3.66	5.63	1.93	1.5	Pg 29	0.39	
1 1/2	NPT	BFCV/T8H1D1F-M	5075	350	5.16	5.67	1.38	1.57	2.78	3.58	5.63	1.93	1.5	Pg 29	0.39	
	SAE	BFCV/O8H1D1F-M	5075	350	5.16	5.67	1.38	1.57	2.78	3.58	5.63	1.93	1.5	Pg 29	0.39	
2	NPT	BFCV/T9H1D1F-M	5075	350	5.55	6.06	1.77	2	3.54	4.37	6.5	1.93	1.5	Pg 29	0.39	
	SAE	BFCV/O9H1D1F-M	5075	350	5.55	6.06	1.77	2	3.54	4.37	6.5	1.93	1.5	Pg 29	0.39	

Behringer Needle Valves

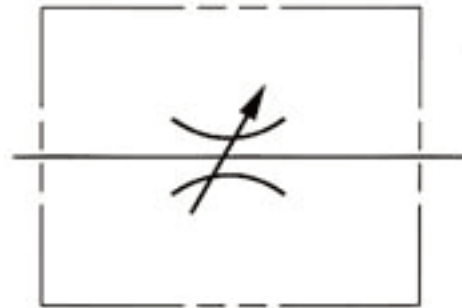
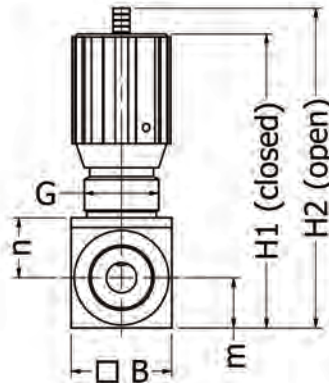
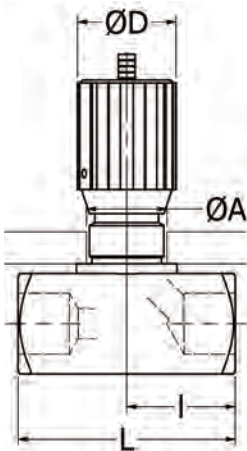
For piping system assembly

Size Range: 1/8" - 2"



Features:

- Steel / Stainless Steel
- NBR, FPM O-rings.
- Tmin/Tmax -20°F/212°F



Needle Valves			Maximum Pressure		Dimensions (in.)									Mounting Thread (G)	Panel Thickness
Size	Thread Type	Part Number	PSI	Bar	H1	H2	m	n	B	I	L	D	A		
1/8	NPT	BNV/T1H1D1F-M	5075	350	2	2.2	0.31	0.39	0.63	0.75	1.5	0.94	0.51	Pg 7	0.16
	SAE	BNV/O1H1D1F-M	5075	350	2	2.2	0.31	0.39	0.63	0.75	1.5	0.94	0.51	Pg 7	0.16
1/4	NPT	BNV/T2H1D1F-M	5075	350	2.56	2.8	0.5	0.57	0.98	0.95	1.89	1.14	0.75	Pg 11	0.28
	SAE	BNV/O2H1D1F-M	5075	350	2.56	2.8	0.5	0.57	0.98	0.95	1.89	1.14	0.75	Pg 11	0.28
3/8	NPT	BNV/T3H1D1F-M	5075	350	2.68	2.95	0.59	0.67	1.18	1.14	2.67	1.14	0.75	Pg 11	0.28
	SAE	BNV/O3H1D1F-M	5075	350	2.68	2.95	0.59	0.67	1.18	1.14	2.28	1.14	0.75	Pg 11	0.28
1/2	NPT	BNV/T4H1D1F-M	5075	350	3.23	3.62	0.69	0.83	1.38	1.34	2.68	1.5	0.91	Pg 16	0.28
	SAE	BNV/O4H1D1F-M	5075	350	3.23	3.62	0.69	0.83	1.38	1.34	2.68	1.5	0.91	Pg 16	0.28
3/4	NPT	BNV/T5H1D1F-M	5075	350	3.78	4.17	0.89	1.02	1.77	1.54	3.07	1.5	0.91	Pg 16	0.28
	SAE	BNV/O5H1D1F-M	5075	350	3.78	4.17	0.89	1.02	1.77	2.13	4.25	1.5	0.91	Pg 16	0.28
1	NPT	BNV/T6H1D1F-M	5075	350	4.77	5.28	0.98	1.18	1.97	2.13	4.25	1.93	1.5	Pg 29	0.39
	SAE	BNV/O6H1D1F-M	5075	350	4.77	5.28	0.98	1.18	1.97	2.13	4.25	1.93	1.5	Pg29	0.39
1 1/4	NPT	BNV/T7H1D1F-M	5075	350	4.96	5.47	1.18	1.38	2.36	2.13	4.25	1.93	1.5	Pg 29	0.39
	SAE	BNV/O7H1D1F-M	5075	350	4.96	5.47	1.18	1.38	2.36	2.13	4.25	1.93	1.5	Pg 29	0.39
1 1/2	NPT	BNV/T8H1D1F-M	5075	350	5.16	5.67	1.38	1.57	2.78	2.13	4.25	1.93	1.5	Pg 29	0.39
	SAE	BNV/O8H1D1F-M	5075	350	5.16	5.67	1.38	1.57	2.78	2.13	4.25	1.93	1.5	Pg 29	0.39
2	NPT	BNV/T9H1D1F-M	5075	350	5.55	6.06	1.77	2	3.54	3.54	2.36	1.93	1.5	Pg 29	0.39
	SAE	BNV/O9H1D1F-M	5075	350	5.55	6.06	1.77	2	3.54	3.54	2.36	1.93	1.5	Pg29	0.39

Behringer Hard Seat Check Valves

For Piping System Assembly

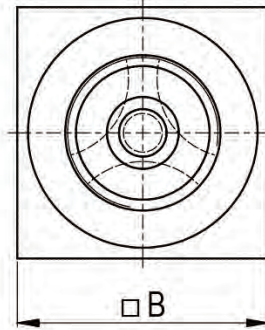
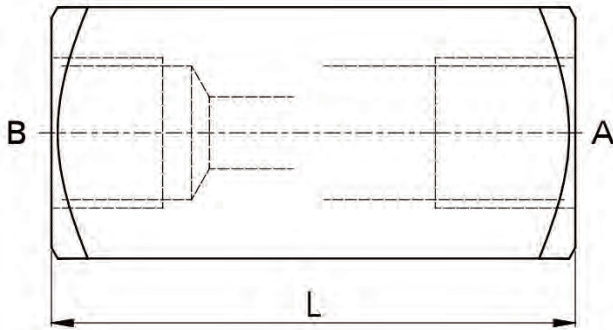
Size Range: DN6 -DN40 (1/8" to 2")



Features:

- Steel / Stainless Steel
- Tmin/Tmax -20°C/100°C
- Cracking Pressure:
- *Option: Cracking pressure

7.25 psi
65.25 psi



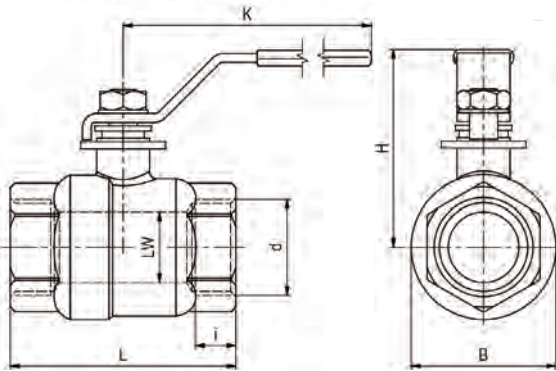
F, Steel (NPT)				Dimensions (in.)	
Size	Spring	Part Number	PSI	L	B
1/8	7 PSI	BCV/T1H1-7-M	7250	1.77	0.63
	65 PSI	BCV/T1H1-65-M			
1/4	7 PSI	BCV/T2H1-7-M	7250	2.17	0.98
	65 PSI	BCV/T2H1-65-M			
3/8	7 PSI	BCV/T3H1-7-M	7250	2.56	1.18
	65 PSI	BCV/T3H1-65-M			
1/2	7 PSI	BCV/T4H1-7-M	7250	2.87	1.38
	65 PSI	BCV/T4H1-65-M			
3/4	7 PSI	BCV/T5H1-7-M	7250	3.46	1.77
	65 PSI	BCV/T5H1-65-M			
1	7 PSI	BCV/T6H1-7-M	7250	5	1.97
	65 PSI	BCV/T6H1-65-M			
1 1/4	7 PSI	BCV/T7H1-7-M	5800	5.63	2.36
	65 PSI	BCV/T7H1-65-M			
1 1/2	7 PSI	BCV/T8H1-7-M	5075	5.63	2.78
	65 PSI	BCV/T8H1-65-M			
2	7 PSI	BCV/T9H1-7-M	5075	6.5	3.54
	65 PSI	BCV/T9H1-65-M			

Hard Seat Check Valves, Steel (SAE)				Dimensions (in.)	
Size	Spring	Part Number	PSI	L	B
1/4	7 PSI	BCV/O2H1-7-M	7250	2.15	0.98
	65 PSI	BCV/O2H1-65-M			
3/8	7 PSI	BCV/O3H1-7-M	7250	2.56	1.18
	65 PSI	BCV/O3H1-65-M			
1/2	7 PSI	BCV/O4H1-7-M	7250	2.87	1.38
	65 PSI	BCV/O4H1-65-M			
3/4	7 PSI	BCV/O5H1-7-M	7250	3.84	1.77
	65 PSI	BCV/O5H1-65-M			
1	7 PSI	BCV/O6H1-7-M	7250	5.02	1.97
	65 PSI	BCV/O6H1-65-M			
1.25	7 PSI	BCV/O7H1-7-M	5800	5.57	2.36
	65 PSI	BCV/O7H1-65-M			
1 1/2	7 PSI	BCV/O8H1-7-M	5075	5.49	2.78
	65 PSI	BCV/O8H1-65-M			
2	7 PSI	BCV/O9H1-7-M	5075	6.5	3.54
	65 PSI	BCV/O9H1-65-M			

Behringer Two Way Low Pressure Ball Valve

For piping system assembly

Size Range: 1/4" - 4"



Features:

- Body, Ball and Stem CF8M (Stainless Steel)
- Full Port Valves.
- PTFE Ball Seats & O-rings (Others available on request).
- Temp Range -22°F to 392°F.
- Locking Handle comes standard

2 Way Low Pressure Stainless Steel Ball Valves			Working Pressure		Dimensions (in.)						Lever Material
Size	Thread Type	Part Number	PSI	Bar	LW	L	B	h	K	i	
1/4	NPT	BBV/T2L2T2T-M-LO	913.5	63	0.39	1.97	1.14	1.77	3.93	0.47	Stainless
	BSP	BBV/G2L2T2T-M-LO	913.5	63	0.39	1.97	1.14	1.77	3.93	0.47	Stainless
	SAE	BBV/O2L2T2T-M-LO	913.5	63	0.39	1.97	1.14	1.77	3.93	0.47	Stainless
3/8	NPT	BBV/T3L2T2T-M-LO	913.5	63	0.49	1.97	1.14	1.77	3.93	0.43	Stainless
	BSP	BBV/G3L2T2T-M-LO	913.5	63	0.49	1.97	1.14	1.77	3.93	0.43	Stainless
	SAE	BBV/O3L2T2T-M-LO	913.5	63	0.49	1.97	1.14	1.77	3.93	0.43	Stainless
1/2	NPT	BBV/T4L2T2T-M-LO	913.5	63	0.59	2.32	1.34	1.97	3.93	0.51	Stainless
	BSP	BBV/G4L2T2T-M-LO	913.5	63	0.59	2.32	1.34	1.97	3.93	0.51	Stainless
	SAE	BBV/O4L2T2T-M-LO	913.5	63	0.59	2.32	1.34	1.97	3.93	0.51	Stainless
3/4	NPT	BBV/T5L2T2T-M-LO	913.5	63	0.79	2.72	1.59	2.05	4.06	0.61	Stainless
	BSP	BBV/G5L2T2T-M-LO	913.5	63	0.79	2.72	1.59	2.05	4.06	0.61	Stainless
	SAE	BBV/O5L2T2T-M-LO	913.5	63	0.79	2.72	1.59	2.05	4.06	0.61	Stainless
1	NPT	BBV/T6L2T2T-M-LO	913.5	63	0.98	3.11	1.94	2.76	5.91	0.61	Stainless
	BSP	BBV/G6L2T2T-M-LO	913.5	63	0.98	3.11	1.94	2.76	5.91	0.61	Stainless
	SAE	BBV/O6L2T2T-M-LO	913.5	63	0.98	3.11	1.94	2.76	5.91	0.61	Stainless
1 1/4	NPT	BBV/T7L2T2T-M-LO	913.5	63	1.26	3.7	2.38	2.95	5.91	0.77	Stainless
	BSP	BBV/G7L2T2T-M-LO	913.5	63	1.26	3.7	2.38	2.95	5.91	0.77	Stainless
	SAE	BBV/O7L2T2T-M-LO	913.5	63	1.26	3.7	2.38	2.95	5.91	0.77	Stainless
1 1/2	NPT	BBV/T8L2T2T-M-LO	913.5	63	1.5	4.06	2.81	3.35	7.2	0.83	Stainless
	BSP	BBV/G8L2T2T-M-LO	913.5	63	1.5	4.06	2.81	3.35	7.2	0.83	Stainless
	SAE	BBV/O8L2T2T-M-LO	913.5	63	1.5	4.06	2.81	3.35	7.2	0.83	Stainless
2	NPT	BBV/T9L2T2T-M-LO	913.5	63	1.97	4.84	3.55	3.7	7.2	0.91	Stainless
	BSP	BBV/G9L2T2T-M-LO	913.5	63	1.97	4.84	3.55	3.7	7.2	0.91	Stainless
	SAE	BBV/O9L2T2T-M-LO	913.5	63	1.97	4.84	3.55	3.7	7.2	0.91	Stainless
2 1/2	NPT	BBV/T10L2T2T-M-LO	913.5	63	2.56	6.3	4.59	5.31	5.97	1.14	Stainless
	BSP	BBV/G10L2T2T-M-LO	913.5	63	2.56	6.3	4.59	5.31	5.97	1.14	Stainless
	SAE	BBV/O10L2T2T-M-LO	913.5	63	2.56	6.3	4.59	5.31	5.97	1.14	Stainless
3	NPT	BBV/T11L2T2T-M-LO	913.5	63	3.15	7.09	5.43	5.71	5.97	1.14	Stainless
	BSP	BBV/G11L2T2T-M-LO	913.5	63	3.15	7.09	5.43	5.71	5.97	1.14	Stainless
	SAE	BBV/O11L2T2T-M-LO	913.5	63	3.15	7.09	5.43	5.71	5.97	1.14	Stainless
4	NPT	BBV/T12L2T2T-M-LO	913.5	63	3.94	9.05	6.71	6.5	12.91	1.14	Stainless
	BSP	BBV/G12L2T2T-M-LO	913.5	63	3.94	9.05	6.71	6.5	12.91	1.14	Stainless
	SAE	BBV/O12L2T2T-M-LO	913.5	63	3.94	9.05	6.71	6.5	12.91	1.14	Stainless

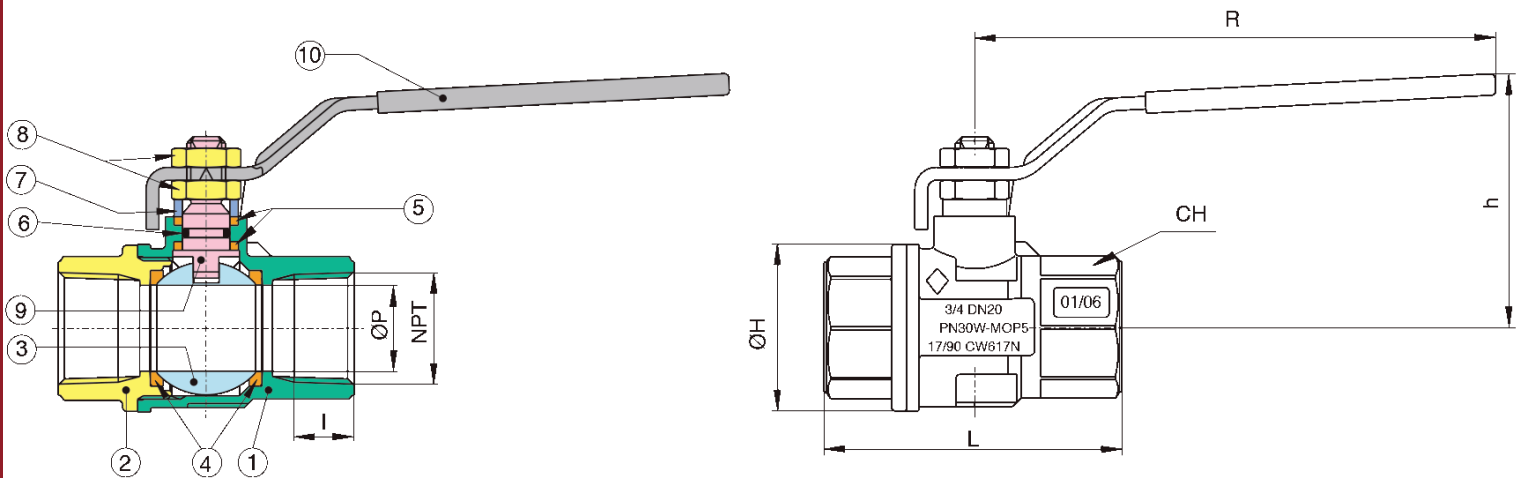


Low Pressure Ball Valve

171N Brass ball valve, FNPT threaded full port sizes 1/4" to 4"

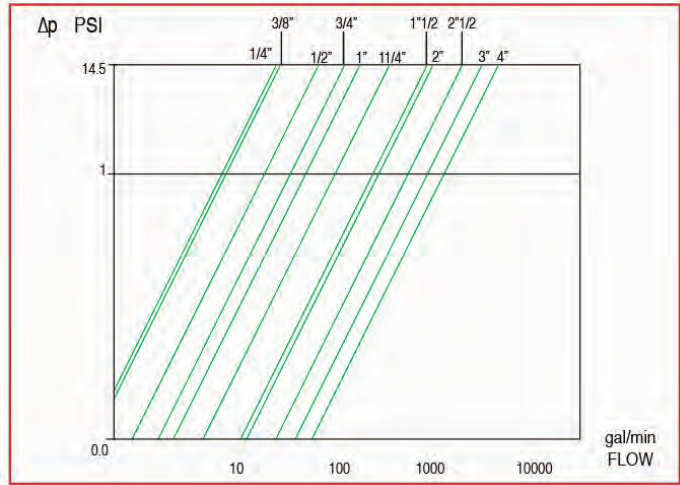
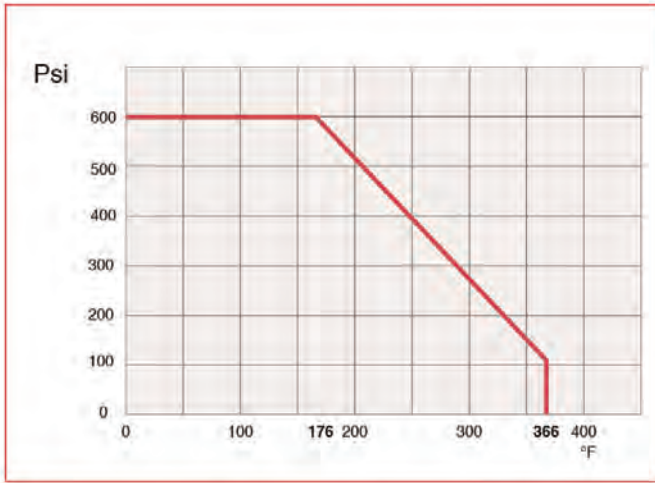
Features:

- Pressure rating 600 WOG-150 WSP.
- Temperature range -4°F to +366°F.
- Blow out proof stem, chrome plated brass ball.
- P.T.F.E seats, seals, and thrust washer.
- Adjustable stem packing.
- 100% electronically tested in the open and closed position at 80 psi.
- Not to be used for drinking water.
- Valve to be used in fully open or fully closed position.
- Locking handle also available.



N Pos	Part Name	Material	N Pcs
1	Body	Brass C38000	1
2	End Connection	Brass C38000	1
3	Ball	Brass C38000	1
4	Ball Seat	P.T.F.E.	2
5	Thrust Washer/Stem Seat	P.T.F.E.	2
6	O-Ring	NBR	1
7	Packing Gland	Brass C38500	1
8	Nut	Steel CL 04	2
9	Stem	Brass C38500	1
10	Handle	Fe DD11 UNI EN 10111	1

BEHRINGER®

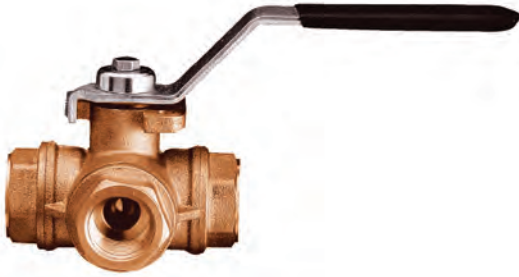


Order Information										
Size	ØP	I	L	ØH	CH	R	h	Cv	psi	Weight
1/4"	0.39	0.39	2.02	0.90	0.78	3.78	1.65	6.24	600	0.33
3/8"	0.39	0.40	2.02	0.90	0.78	3.78	1.65	6.94	600	0.30
1/2"	0.59	0.53	2.44	1.25	0.98	3.78	1.81	18.84	600	0.48
3/4"	0.78	0.55	2.71	1.53	1.22	4.76	2.28	34.10	600	0.79
1"	0.98	0.66	3.07	1.92	1.49	4.76	2.44	49.71	600	1.22
1 1/4"	1.25	0.68	3.42	2.32	1.88	5.94	3.00	102.89	600	2.14
1 1/2"	1.57	0.68	3.89	2.87	2.12	5.94	3.23	265.90	600	3.2
2"	1.94	0.69	4.33	3.38	2.63	6.30	3.74	306.36	600	4.08
2 1/2"	2.56	0.93	5.59	4.37	3.54	8.07	4.84	624.28	600	8.27
3"	3.15	1.02	6.46	5.35	4.13	8.07	5.24	1009.25	600	13.01
4"	3.94	1.09	7.60	6.54	5.12	10.24	6.50	1606.94	600	22.05

How To Order:

171N- 1 NPT
Size

Size	
Code	Size
1/4	1/4"
3/8	3/8"
1/2	1/2"
3/4	3/4"
1	1"
1 1/4	1 1/4"
1 1/2	1 1/2"
2	2"
2 1/2	2 1/2"
3	3"
4	4"

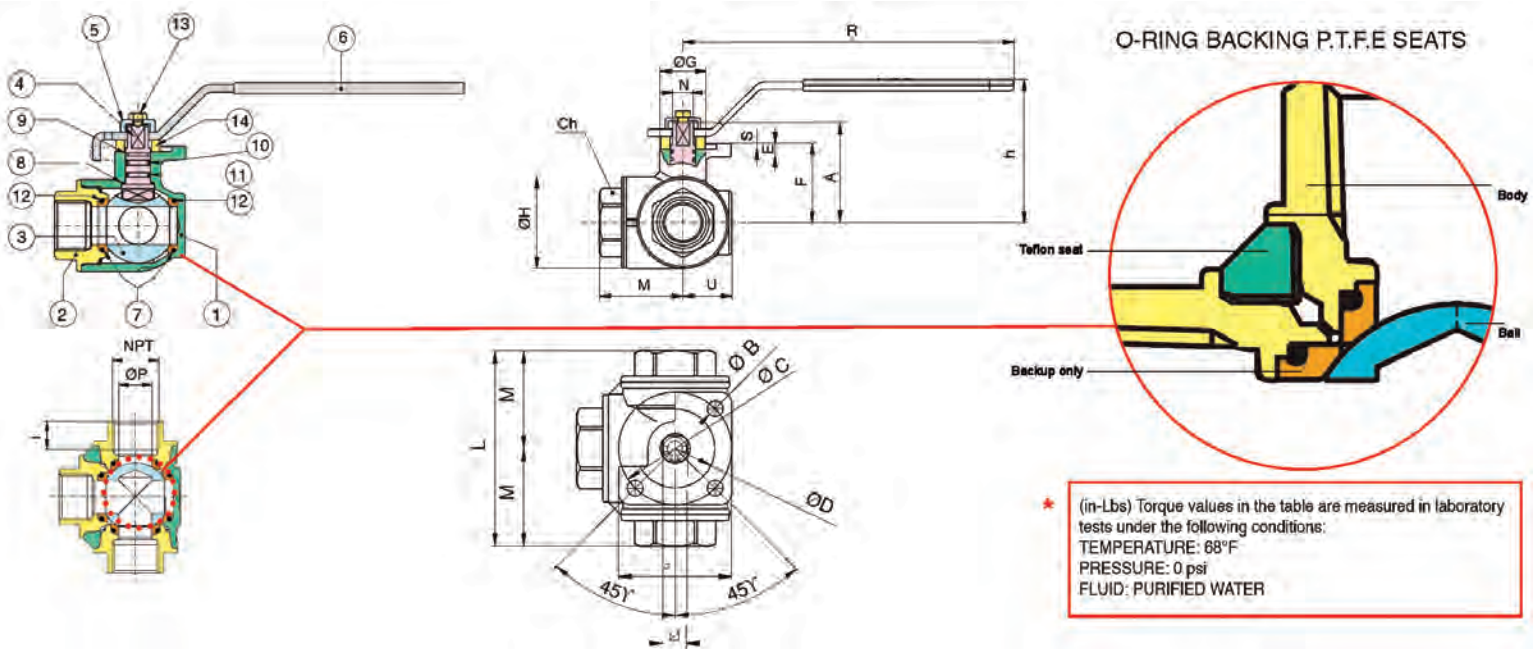


Direct Mount 3-Way Ball Valve

335N Brass ball valve with ISO 5211 pad for actuator, standard port sizes 1/4" to 3" FNPT

Features:

- Pressure rating 400 WOG-100 WSP.
- Temperature range -4°F to 366°F.
- Blow out proof stem, chrome plated brass ball.
- P.T.F.E seats with O-ring backing for low operating torque.
- P.T.F.E seats and double O-ring stem packing.
- 100% electronically tested in the open and closed position at 80 psi.
- Not to be used for drinking water.
- Four seat design for sealing between pressurized ports.
- Model 355N (90° and 180° "T" flow pattern position).
- Model 365N (90° "L" flow pattern with "off position").
- ANSI B1.20.1 connections.
- Locking handle also available.



N Pos	Part Name	Material	N Pcs	N Pos	Part Name	Material	N Pcs
1	Body	Brass C38000	1	8	Thrust Washer	P.T.F.E.	1
2	End Connection	Brass C38000	3	9	Thrust Washer	P.T.F.E.	1
3	Ball	Brass C38000	1	10	O-ring	EPDM	1
4	Stem	Brass C38500	1	11	O-ring	FKM (Viton®)	1
5	Bush	Brass C38500	1	12	O-rings Body	FKM (Viton®)	4
6	Handle	Fe DD11 UNI EN 10111	1	13	Screw	Stell CL 8.8	1
7	Ball Seat	P.T.F.E.	4	14	Washer	Nylon (PA6)	1

BEHRINGER®

Order Information

Size	ØP	ØH	I	L	M	CH	R	h	ØG	ØB	Øc	U	E	F	A	mm	N	Cv _{355N}	Cv _{365N}	psi	Weight lbs	*Break Torque (in/Lbs)
1/4"	0.39	1.34	0.39	2.64	1.32	0.87	4.72	2.44	0.87	0.24	1.42 (ISO F03)	0.77	0.20	1.20	0.35	9.00	0.35	3.24	3.24	400	1.23	17.70
3/8"	0.43	1.34	0.41	2.64	1.32	0.87	4.72	2.44	0.87	0.24	1.42 (ISO F03)	0.77	0.20	1.20	0.35	9.00	0.35	3.47	3.47	400	1.14	17.70
1/2"	0.43	1.34	0.54	2.87	1.44	1.06	4.72	2.44	0.87	0.24	1.42 (ISO F03)	0.77	0.20	1.20	0.35	9.00	0.35	4.16	4.16	400	1.21	17.70
3/4"	0.55	1.54	0.55	3.19	1.59	1.26	4.72	2.52	0.87	0.24	1.42 (ISO F03)	0.87	0.20	1.29	0.35	9.00	0.35	7.05	7.05	400	1.48	26.60
1"	0.75	1.89	0.66	3.74	1.87	1.61	6.79	2.95	0.94	0.28	1.97 (ISO F05)	1.00	0.28	1.63	0.43	11.00	0.43	12.83	12.83	400	2.69	26.60
1 1/4"	0.95	2.36	0.68	4.39	2.19	1.97	6.79	3.17	0.94	0.28	1.97 (ISO F05)	1.22	0.28	1.85	0.43	11.00	0.43	18.73	18.73	400	4.14	53.10
1 1/2"	1.18	2.83	0.68	4.86	2.43	2.17	6.79	3.66	1.26	0.28	1.97 (ISO F05)	1.49	0.28	2.34	0.43	11.00	0.43	29.71	29.71	400	6.46	88.50
2"	1.50	3.39	0.70	5.73	2.86	2.76	9.06	4.37	1.46	0.35	2.76 (ISO F07)	1.75	0.31	2.91	0.59	14.00	0.55	43.81	43.81	400	11.07	106.20
2 1/2"	1.95	4.37	0.93	6.93	3.46	3.35	9.06	4.80	1.46	0.35	2.76 (ISO F07)	2.20	0.31	3.35	0.59	14.00	0.55	70.05	70.05	400	19.78	274.40
3"	1.95	4.45	1.02	7.09	3.54	4.13	9.06	4.80	1.46	0.35	2.76 (ISO F07)	2.20	0.31	3.35	0.59	14.00	0.55	70.05	70.05	400	19.64	354.30

How To Order:

355N- 1 NPT
 Model Size

Model
355N - 90° & 180° T Flow Pattern
365NN - 90° Off position L Flow Pattern

Size	
Code	Size
1/4	1/4"
3/8	3/8"
1/2	1/2"
3/4	3/4"
1	1"
1 1/4	1 1/4"
1 1/2	1 1/2"
2	2"
2 1/2	2 1/2"
3	3"

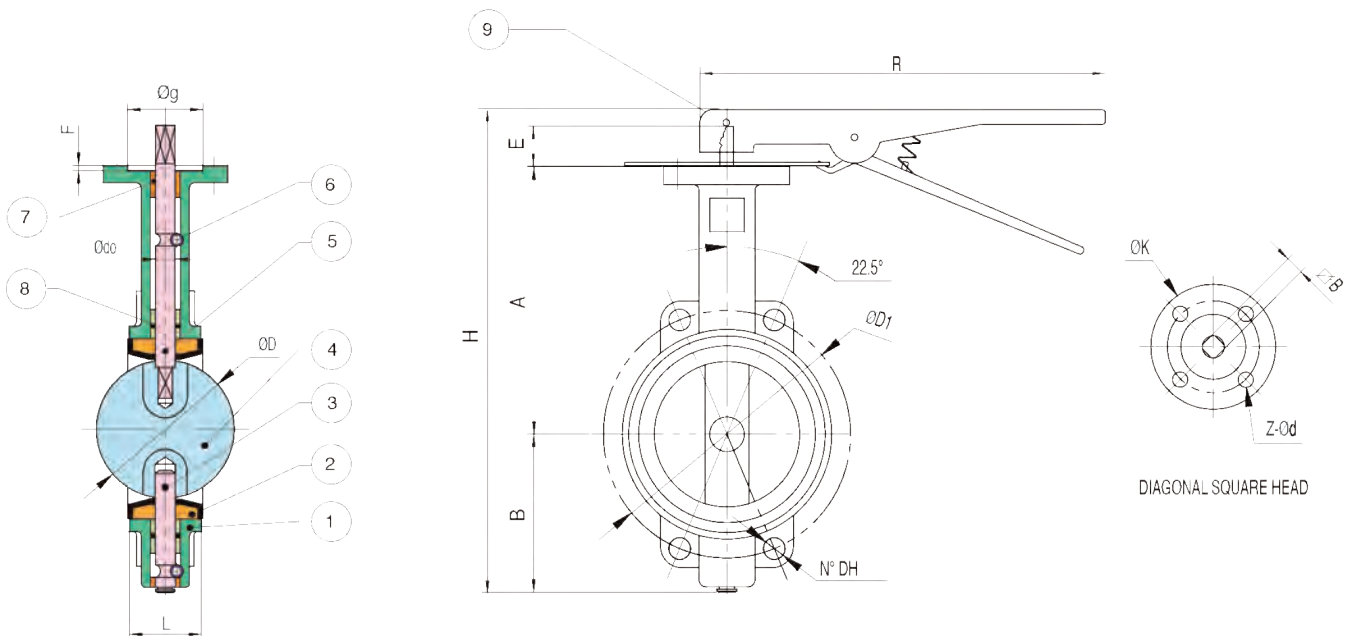


Butterfly Valve

Wafer butterfly valves

Features:

- Epoxy coated cast iron wafer body.
- Sizes 1 1/2" to 12".
- ISO 5211 direct mounting pad/square stem.
- Food grade EPDM resilient seat -30°F to 250°F.
- API609 face to face flange.
- Floating dual shaft disc design.
- Pressure rating: 250 psi water (40°F to 80°F).
- MSS SP 67 compliant.
- No pins in disc prevent potential leak points.
- NSF certified for drinking water service (EPDM seats only).
- Locking handle also available.
- High performance valves available on request.



N Pos	Part Name	Material	N Pcs
1	Body	Cast Iron	1
2	Seat	EPDM (30F to 250F)	1
3	Lower Shaft	SS 416	1
4	Disc 500N	Iron Nylon 11	1
	Disc 500S	Stainless Steel	1
5	Upper Shaft	SS 416	1
6	Locating Pin	Carbon Steel	1
7	Bushing	P.T.F.E.	1
8	O-ring	EPDM	1
9	Lever	Epoxy Coated Carbon Steel	1

BEHRINGER®

Order Information																					
Size	ISO 5211	B	A	B	L	ØD	E	H	R	Ødo	Upper Flange				Disc	Wafer	Weight Lbs	Seat Torque		v (GPM @ 1ps	
											ØK	Z-d	Øg	F				ØD1	N°-DH	100 psi	200 psi
1 1/2"	F05	9 mm	5.71	2.97	1.61	1.67	0.47	12.95	10.63	0.50	3.03	4-0.28	1.38	0.12	4.74	4-0.75	5.0	111	133	35	108
2"	F05	9 mm	6.34	3.15	1.65	2.07	0.47	13.94	10.63	0.50	3.03	4-0.28	1.38	0.12	4.74	4-0.75	5.5	126	146	49	146.00
2 1/2"	F05	9 mm	6.89	3.50	1.76	2.54	0.47	15.04	10.63	0.50	3.03	4-0.28	1.38	0.12	5.49	4-0.75	7.1	134	167	84	284
3"	F05	9 mm	7.13	3.74	1.78	3.10	0.47	15.51	10.63	0.50	3.03	4-0.28	1.38	0.12	6.00	4-0.75	8.4	205	223	128	547
4"	F07	11 mm	7.87	4.49	2.05	4.09	0.63	17.00	10.63	0.62	3.54	4-0.35	2.17	0.12	7.50	4-0.75	10.8	339	386	195	844
5"	F07	14 mm	8.34	5.00	2.14	4.85	0.75	17.94	10.63	0.75	3.54	4-0.35	2.17	0.12	8.50	4-0.87	15.4	523	602	320	1375
6"	F07	14 mm	8.90	5.47	2.20	6.13	0.75	19.06	10.63	0.75	3.54	4-0.35	2.17	0.12	9.50	4-0.87	17.2	677	996	418	1882
8"	F10	17 mm	10.24	6.89	2.34	7.97	0.75	22.25	14.17	0.87	4.92	4-0.47	2.76	0.14	11.75	4-0.87	29.1	1205	1864	745	3340
10"	F10	22 mm	11.50	7.99	2.58	9.86	0.94	24.77	19.68	1.12	4.92	4-0.47	2.76	1.40	14.25	4-1.00	42.2	1890	3140	1264	5475
12"	F10	22 mm	13.27	9.53	3.03	11.87	0.94	28.31	19.68	1.24	5.51	4-0.47	2.76	1.40	17.00	4-1.00	71.5	2808	4767	1905	8270

How To Order:

BBYW- 9 - F C S F G LO E-24VDC

Size Connection Housing Material Disc Seal Operating Option Actuator

Size	
Code	Size
8	1 1/2"
9	2"
10	2 1/2"
11	3"
12	4"
13	5"
14	6"
15	8"
16	10"
17	12"

Connection	
Code	Type
F	Flange

Housing Material	
Code	Type
C	Cast Iron

Disc	
Code	Type
S	Stainless Steel
N	Nylon
AB	Aluminum/Bronze

Seat Seal	
Code	Type
F	Viton
B	Buna
E	EPDM

Operating	
Code	Type
G	Gear
M (1 1/2" - 8" only)	Manual Lever
D	Direct Mount

Option	
Code	Type
Omit	Standard
LO	Locking Device

Actuator	
Code	Type
Omit	None
DA	Double Acting
SR	Spring Return
E	Electrical + Voltage (ex: 24VDC)

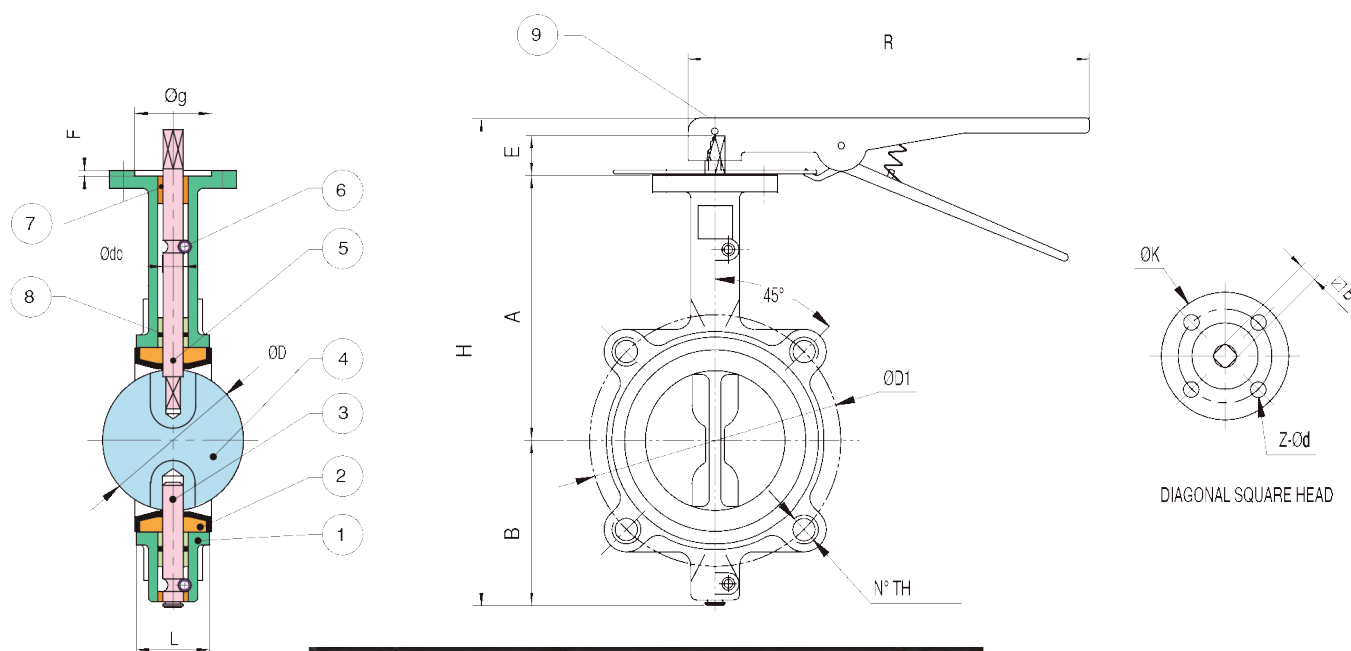
Butterfly Valve

Lug butterfly valves



Features:

- Epoxy coated ductile iron lug body.
- Sizes 1 1/2" to 12".
- ISO 5211 direct mounting pad/square stem.
- Food grade EPDM resilient seat -30°F to 250°F.
- API609 face to face flange.
- Floating dual shaft disc design.
- Pressure rating: 250 psi water (40°F to 80°F).
- MSS SP 67 compliant.
- No pins in disc prevent potential leak points.
- NSF certified for drinking water service (EPDM seats only).
- Dead end service to 100 psi.
- High performance valves available on request



N Pos	Part Name	Material	N Pcs
1	Body	Cast Iron	1
2	Seat	EPDM (30F to 250F)	1
3	Lower Shaft	SS 416	1
4	Disc 500N	Iron Nylon 11	1
	Disc 500S	Stainless Steel	1
5	Upper Shaft	SS 416	1
6	Locating Pin	Carbon Steel	1
7	Bushing	P.T.F.E.	1
8	O-ring	EPDM	1
9	Lever	Epoxy Coated Carbon Steel	1

BEHRINGER®

Order Information																					
Size	ISO 5211	B	A	B	L	ØD	E	H	R	Ødo	Upper Flange				Disc	Lug	Weight Lbs	Seat Torque		Cv (GPM @ 1psi)	
											ØK	Z-d	Øg	F	ØD1	N°-TH		100 psi	200 psi	50% OP	100% OP
1 1/2"	F05	9 mm	5.71	2.97	1.61	1.67	0.47	12.95	10.63	0.50	3.03	4-0.28	1.38	0.12	4.74	4-5/8"-11	7.9	111	133	35	108
2"	F05	9 mm	6.34	3.15	1.65	2.07	0.47	13.94	10.63	0.50	3.03	4-0.28	1.38	0.12	4.74	4-5/8"-11	8.4	126	146	49	146
2 1/2"	F05	9 mm	6.89	3.50	1.76	2.54	0.47	15.04	10.63	0.50	3.03	4-0.28	1.38	0.12	5.49	4-5/8"-11	9.3	134	167	84	284
3"	F05	9 mm	7.13	3.74	1.78	3.10	0.47	15.51	10.63	0.50	3.03	4-0.28	1.38	0.12	6.00	4-5/8"-11	10.4	205	223	128	547
4"	F07	11 mm	7.87	4.49	2.05	4.09	0.63	17.00	10.63	0.62	3.54	4-0.35	2.17	0.12	7.50	8-5/8"-11	19.8	339	386	195	844
5"	F07	14 mm	8.34	5.00	2.14	4.85	0.75	17.94	10.63	0.75	3.54	4-0.35	2.17	0.12	8.50	8-3/4"-10	24.0	523	602	320	1375
6"	F07	14 mm	8.90	5.47	2.20	6.13	0.75	19.06	10.63	0.75	3.54	4-0.35	2.17	0.12	9.50	8-3/4"-10	31.3	677	996	418	1882
8"	F10	17 mm	10.24	6.89	2.34	7.97	0.75	22.25	14.17	0.87	4.92	4-0.47	2.76	0.14	11.75	8-3/4"-10	40.1	1205	1864	745	3340
10"	F10	22 mm	11.50	7.99	2.58	9.86	0.94	24.77	19.68	1.12	4.92	4-0.47	2.76	1.40	14.25	12-7/8"-9	59.1	1890	3140	1264	5475
12"	F10	22 mm	13.27	9.53	3.03	11.87	0.94	28.31	19.68	1.24	5.51	4-0.47	2.76	1.40	17.00	12-7/8"-9	88.2	2808	4767	1905	8270

BBYL-9-F D S F M LO E-24VDC
 Size Connection Housing Disc Seal Operating Option Actuator
 Material

Size	
Code	Size
8	1 1/2"
9	2"
10	2 1/2"
11	3"
12	4"
13	5"
14	6"
15	8"
16	10"
17	12"

Connection	
Code	Type
F	Flange

Housing Material	
Code	Type
D	Ductile Iron

Disc	
Code	Type
S	Stainless Steel
N	Nylon
AB	Aluminum/Bronze

Seat Seal	
Code	Type
F	Viton
B	Buna
E	EPDM

Operating	
Code	Type
G	Gear
M (1 1/2" - 8" only)	Manual Lever
D	Direct Mount

Option	
Code	Type
Omit	Standard
LO	Locking Device

Actuator	
Code	Type
Omit	None
DA	Double Acting
SR	Spring Return
E	Electrical + Voltage (ex: 24VDC)

