

Smooth Bore Rod Mount

Size Range: 1/4" outside diameter through 6.625" outside diameter.

Hardware: 304 Stainless Steel, 316 Stainless Steel, or Electro-Zinc Plated Carbon Steel.

Plastic Inserts: Polypropylene (blue)
Santoprene (beige)
Polysulfone (black)
HDPE (white)
High Temp Nylon (black)
*See page 85 for temperature ratings

Installation: Cut bar in field to proper length. Field weld hang or floor mount bar to support structure. Fig 221 can also be used in combination with the figure 225 or 226 stanchions. This combination will allow the support to be adjusted telescopically to the tube or pipe elevation. Call customer service for the price and availability of special rod lengths.

Thermal Expansion Guide: (Optional) Provides for axial expansion of the tube or pipe due to thermal expansion. One set of two per clamp (See Fig. 207 in accessories).

Thermal Expansion Guide Material: Santoprene, 1/16" insert, Black for service identification.

221 Smooth Bore Rod Mount - Part Number Configurator

Part Number Example:

R SB Z 6 1050 - SP - 06

R SB Z 6 1050 - SP - 06

Rod Mount ●

Rod Mount Fig. 221 = R

Style ●

Smooth Bore Block Style = SB

Hardware Material ●

304 Stainless Steel = T
316 Stainless Steel = X
Electro-Zinc Plated Carbon Steel = Z

Hardware Group Size ●

Group 3 Hardware Size Tube OD and Pipe sizes ranging from 0.25" to 1" = 3
Group 6 Hardware Size Tube OD and Pipe sizes ranging from 0.25" to 2" = 6
Group 7 Hardware Size Tube OD and Pipe sizes ranging from 2" to 3.50" = 7
Group 7A Hardware Size 4" Tube OD = 7A
Group 8 Hardware Size Tube OD and Pipe sizes ranging from 6" to 6.625" = 8

Tube or Pipe Size ●

"D" Dimension

For sizing refer to "D" column on dimensional chart.
Apply the number in column without the decimal.

Plastic Insert Material ●

Polypropylene, Blue (available in Groups 3-7A) = PP
Santoprene, Beige (available in Groups 3-8) = SP
Polysulfone, Black (available in Groups 3-8) = PS
HDPE, White (available in Groups 8 & 9) = NN
High Temp Nylon (available in Groups 8 & 9) = HT

Rod Length ●

6" = 06
12" = 12
18" = 18
24" = 24
Special lengths are available

FIG. 221

SMOOTH BORE ROD MOUNT

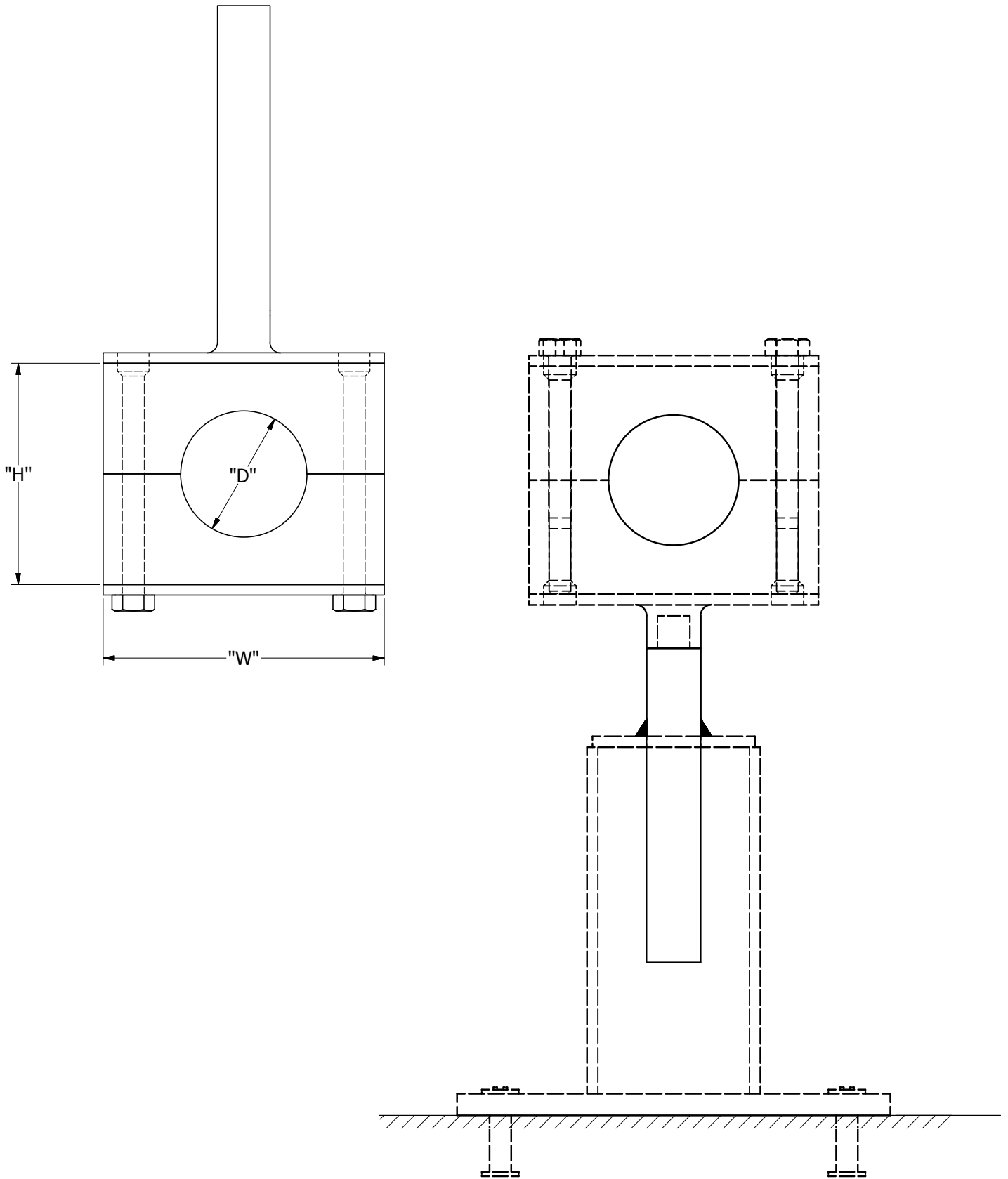


FIG. 221

SMOOTH BORE ROD MOUNT

GRP NO.	TUBE OR PIPE SIZE	"D" INCHES	W	Z	U	BOLT SIZE	"A" ROD DIA.
3	1/4 T	0.250	1.88" (48 mm)	1.22" (31 mm)	0.81" (20 mm)	1/4-20	0.5" (12.7 mm)
	3/8 T	0.375					
	1/2 T	0.500					
	3/4 T	0.750					
	1/2 P	0.840					
	1 T	1.000					
6	1/4 T	0.250	3.34" (85 mm)	1.22" (31 mm)	1.44" (37 mm)	1/4-20	0.5" (12.7 mm)
	3/8 T	0.375					
	1/2 T	0.500					
	5/8 T	0.625					
	3/4 T	0.750					
	1/2 P	0.840					
	7/8 T	0.875					
	1 T	1.000					
	3/4 P	1.050					
	1-1/4 T	1.250					
	1 P	1.315					
	1-1/2 T	1.500					
	1-1/4 P	1.660					
	1-1/2 P	1.900					
2 T	2.000						
7	2 T	2.000	5.00" (127 mm)	1.22" (31 mm)	2.31" (59 mm)	1/4-20	0.75" (19 mm)
	2 P	2.375					
	2-1/2 T	2.500					
	2-1/2 P	2.875					
	3 T	3.000					
	3-1/2 T -3 P	3.500					
7A	4 T	4.000	5.77" (147 mm)	1.22" (31 mm)	2.54" (65 mm)	1/4-20	0.75" (19 mm)
8	6 T	6.000	8.88" (226 mm)	1.50" (38 mm)	4.01" (102 mm)	3/8 - 16	1.00" (25.4 mm)
	6P	6.625					