



### Smooth Bore Hang Plate Mount

**Size Range:** 1/4" outside diameter through 6.625" outside diameter

**Hardware:** 304 Stainless Steel, 316 Stainless Steel, or Electro-Zinc Plated Carbon Steel

**Plastic Inserts:** Polypropylene (blue)  
Santoprene (beige)  
Polysulfone (black)  
HDPE (white)  
High Temp Nylon (black)  
\*See page 85 for temperature ratings

**Installations:** Hang from threaded rod to desired elevation.

**Thermal Expansion Guide:** (Optional) Provides for axial expansion of the tube or pipe due to thermal expansion. One set of two per clamp (See Fig. 207 in accessories).

**Thermal Expansion Guide Material:** Santoprene, 1/16" insert, Black for service identification.

**201 Smooth Bore Hang Plate Mount - Part Number Configurator**

**Part Number Example:**

**H SB T 6 2375 - PP**

**H SB T 6 2375 - PP**

**Hang Plate Mount**

Hang Plate Mount Fig. 201 = H

**Style**

Smooth Bore Block Style = SB

**Hardware Material**

304 Stainless Steel = T  
 316 Stainless Steel = X  
 Electro-Zinc Plated Carbon Steel = Z

**Hardware Group Size**

Group 3 Hardware Size Tube OD and Pipe sizes ranging from 0.25" to 1" = 3  
 Group 6 Hardware Size Tube OD and Pipe sizes ranging from 0.25" to 2" = 6  
 Group 7 Hardware Size Tube OD and Pipe sizes ranging from 2" to 3.50" = 7  
 Group 7A Hardware Size 4" Tube OD = 7A  
 Group 8 Hardware Size Tube OD and Pipe sizes ranging from 6" to 6.625" = 8  
 Group 9 Hardware Size Tube OD sizes ranging from 8" to 8.625" = 9

**Tube or Pipe Size**

"D" Dimension  
 For sizing refer to "D" column on dimensional chart.  
 Apply the number in column without the decimal.

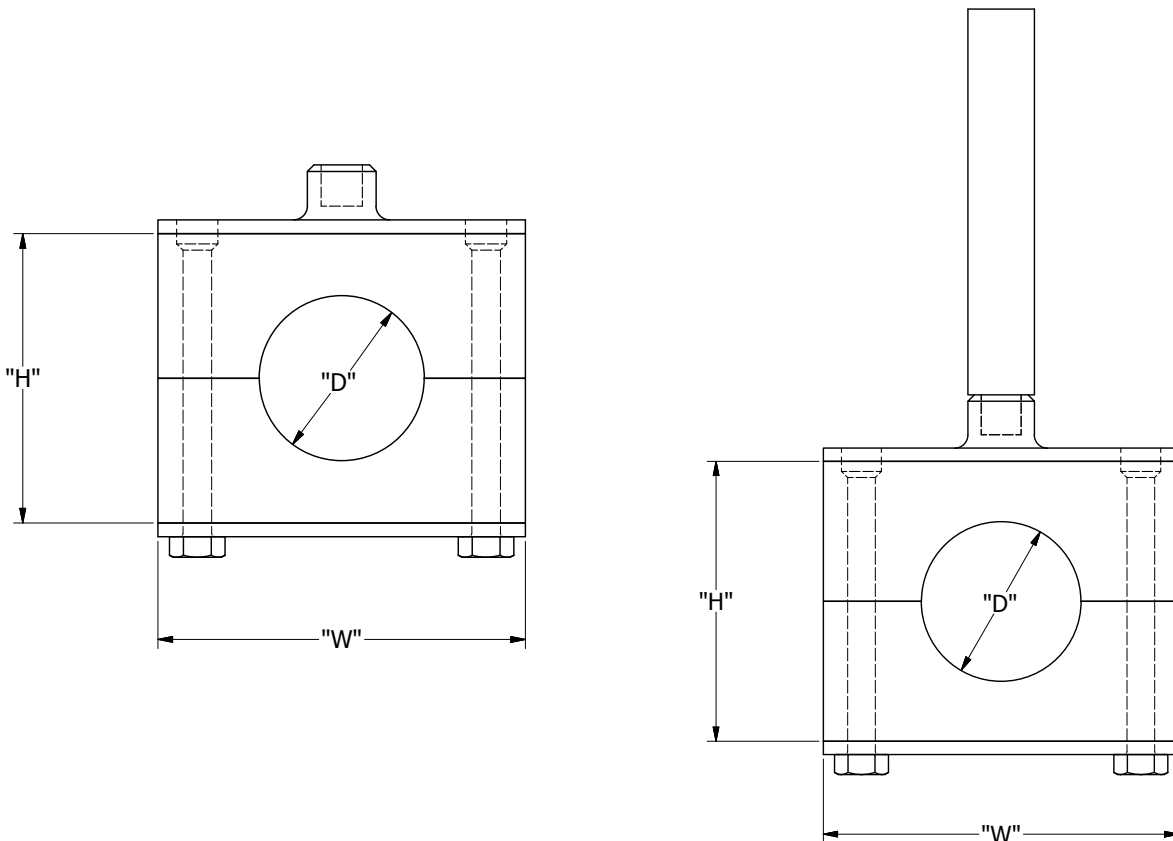
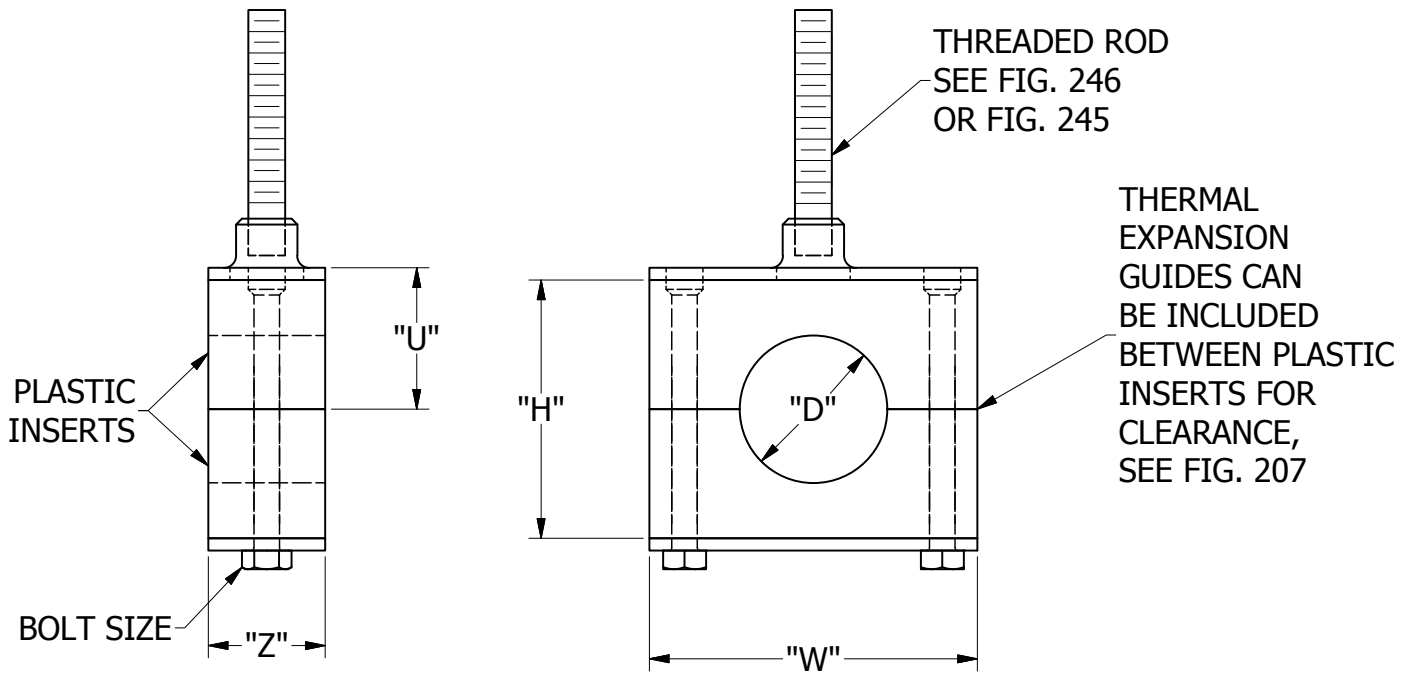
Examples of column "D" translation:  
 1/4" Tube = 025  
 3/4" Pipe = 1050  
 1" Pipe = 1315  
 2" Pipe = 2375  
 4" Pipe = 400

**Plastic Insert Material**

Polypropylene, Blue (available in Groups 3-7A) = PP  
 Santoprene, Beige (available in Groups 3-8) = SP  
 Polysulfone, Black (available in Groups 3-8) = PS  
 HDPE, White (available in Groups 8 & 9) = NN  
 High Temp Nylon (available in Groups 8 & 9) = HT

# FIG. 201

## SMOOTH BORE HANG PLATE MOUNT



# FIG. 201

## SMOOTH BORE HANG PLATE MOUNT

GRP NO.	TUBE OR PIPE SIZE	"D" INCHES	W	H	Z	U	BOLT SIZE	HANG NUT	LBS.
3	1/4 T	0.250	1.88" (48 mm)	1.38" (35 mm)	1.22" (31 mm)	0.81" (20 mm)	1/4-20	3/8-16	0.3 (0.14 kg)
	3/8 T	0.375							
	1/2 T	0.500							
	3/4 T	0.750							
	1/2 P	0.840							
	1 T	1.000							
6	1/4 T	0.250	3.34" (85 mm)	2.63" (67 mm)	1.22" (31 mm)	1.44" (37 mm)	1/4-20	3/8-16	0.5 (0.23 kg)
	3/8 T	0.375							
	1/2 T	0.500							
	5/8 T	0.625							
	3/4 T	0.750							
	1/2 P	0.840							
	7/8 T	0.875							
	1 T	1.000							
	3/4 P	1.050							
	1-1/4 T	1.250							
	1 P	1.315							
	1-1/2 T	1.500							
	1-1/4 P	1.660							
	1-1/2 P	1.900							
2 T	2.000								
7	2 T	2.000	5.02" (128 mm)	4.38" (111 mm)	1.22" (31 mm)	2.31" (59 mm)	1/4-20	3/8-16	1.0 (0.45 kg)
	2 P	2.375							
	2-1/2 T	2.500							
	2-1/2 P	2.875							
	3 T	3.000							
	3-1/2 T -3 P	3.500							
7A	4 T	4.000	5.77" (147 mm)	4.80" (122 mm)	1.22" (31 mm)	2.54" (65 mm)	1/4-20	3/8-16*	1.3 (0.59 kg)
8	6 T	6.000	8.88" (226 mm)	7.65" (194 mm)	1.50" (38 mm)	4.01" (102 mm)	3/8 - 16	5/8-11	4.4 (1.99 kg)
	6P	6.625							

\* Also available with a 1/2-13 thread

# FIG. 201

## SMOOTH BORE HANG PLATE MOUNT



**Figure 201**  
**Hang Plate Mount**

