

# FIG. 221 CHT

## THREADED MOUNT HANGER



### Threaded Anchor or Guide Hanger

One piece unit with threaded adaptor. Rod is sold separately.

**Features:** The threaded mounting section, on top of housing, doubles as a threaded rod connector and a welding platform. Figure 221 CHT, paired with a Figure 245 rod, can also be used in combination with our stanchions and/or height adjusters. This combination will allow the support to be adjusted telescopically to the tube or pipe elevation. Call customer service for the price and availability of special rod lengths.

**Size Range:** 0.24" diameters through 8.63" diameter covering imperial tube, pipe and copper sizes. ISO and DIN standards and special diameters available upon request.

**Hardware:** 304 Stainless Steel (Standard), 316 Stainless Steel

**Finish:** 25 RA

**Plastic:** Polyethersulfone (PESU) (Black = Anchor and Gray = Guide). See Technical Data for temperature ratings.

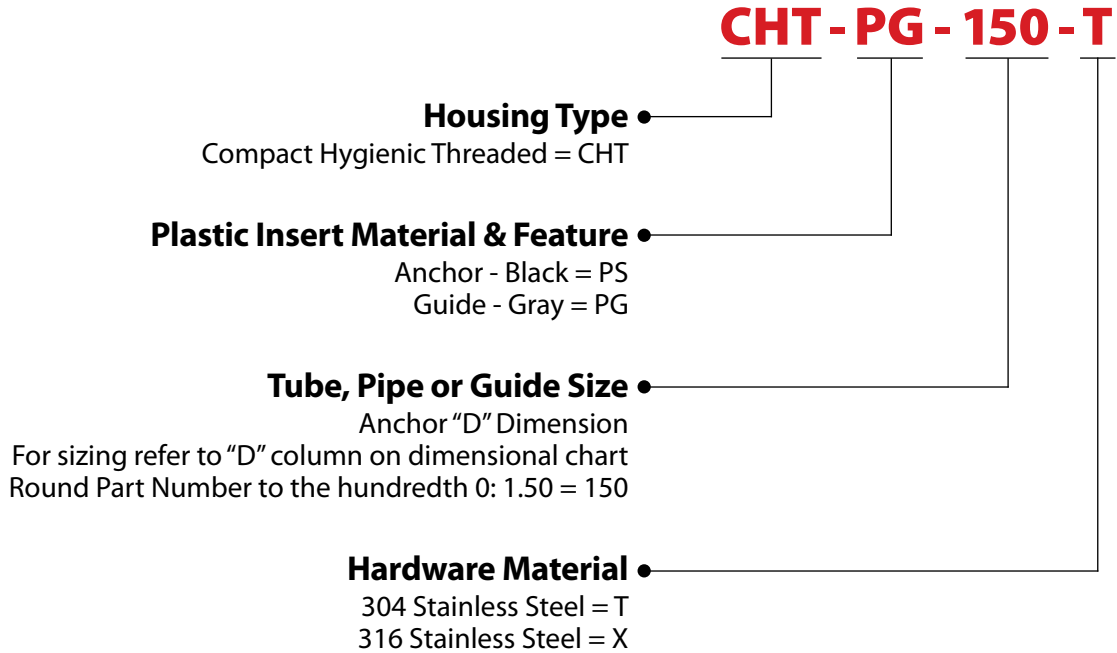
**Anchors:** Refer to shear force diagram in technical section (page 88).

**Guides:** Allows free axial movement for thermal expansion of tube or pipe

## 221 CHT Compact Threaded Mount Hanger - Part Number Configurator

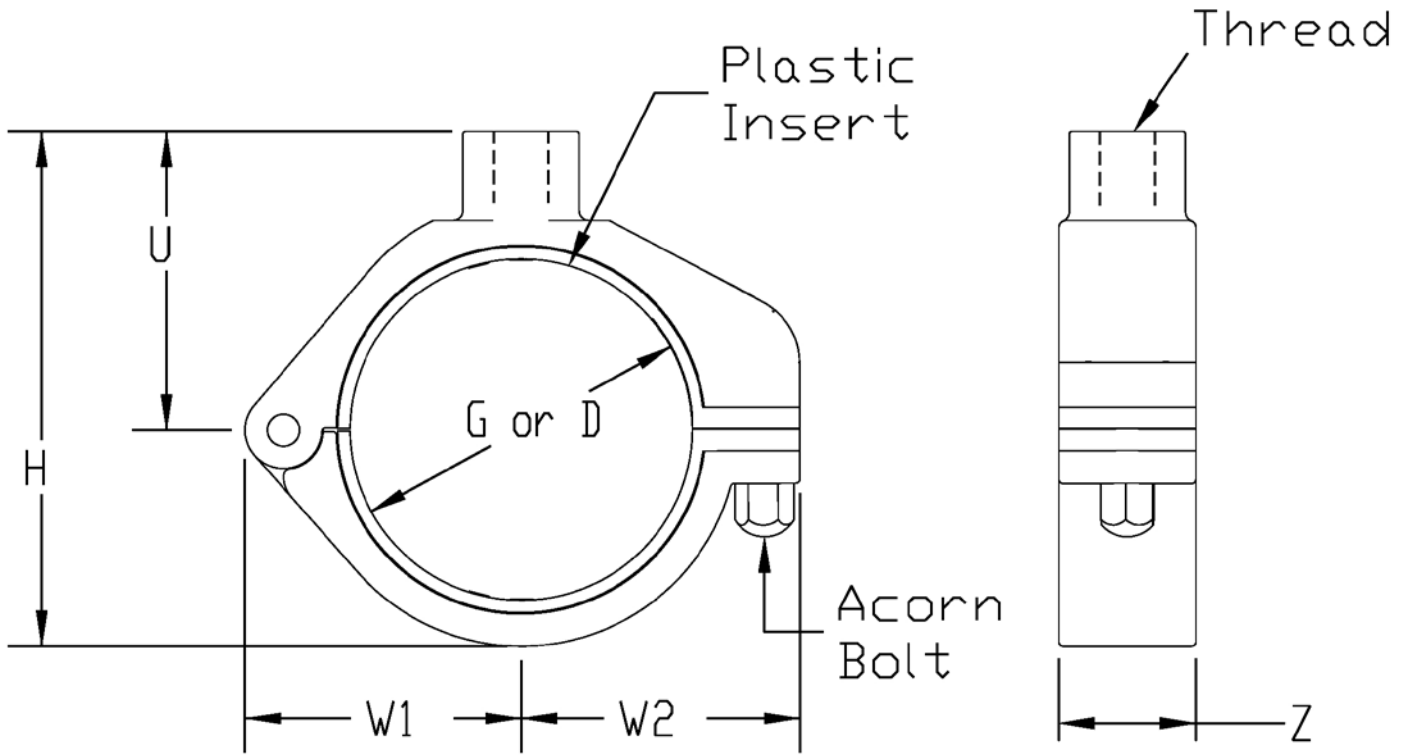
### Part Number Example:

**CHT - PG - 150 - T**



# FIG. 221 CHT

## THREADED MOUNT HANGER



# FIG. 221 CHT

## THREADED MOUNT HANGER

Group No.	Stainless Tube	Pipe	Copper Tube	Outside Diameter (mm)	221 CHT	UNIVERSAL DIMENSIONS AMONG HOUSINGS			221 CHT						
					Part Number (-PS- as displayed is an Anchor & -PG- would make a Guide)	"D" Anchor Plastic	"G" Guide Plastic	Dimension, in. (mm)						Rod Diameter (Sold Separately)	Weight, lb (kg)
								W1	W2	Z	U	H	Thread		
1	6 mm			6.0	<b>CHT-PS-024-T</b>	0.24	0.27	0.93 (24)	1.02 (26)	0.75 (19)	1.08 (28)	1.67 (42)	3/8"-16 (10)	1/2" (12) <b>B</b>	0.26 (0.12)
	1/4"			6.3	<b>CHT-PS-025-T</b>	0.25	0.29								
	3/8"			9.6	<b>CHT-PS-038-T</b>	0.38	0.40								
	1/2"			12.7	<b>CHT-PS-050-T</b>	0.50	0.54								
2		1/4"		13.7	<b>CHT-PS-054-T</b>	0.54	0.58	1.06 (27)	1.15 (29)	0.75 (19)	1.23 (31)	1.93 (49)	3/8"-16 (10)	1/2" (12) <b>B</b>	0.60 (0.27)
			1/2"	16.0	<b>CHT-PS-063-T</b>	0.63	0.67								
			3/4"	19.0	<b>CHT-PS-075-T</b>	0.75	0.79								
3	20 mm			20.0	<b>CHT-PS-079-T</b>	0.79	0.82	1.20 (31)	1.28 (33)	0.75 (19)	1.35 (34)	2.19 (56)	3/8"-16 (10)	1/2" (12) <b>B</b>	0.33 (0.15)
		1/2"		21.3	<b>CHT-PS-084-T</b>	0.84	0.88								
			3/4"	22.4	<b>CHT-PS-088-T</b>	0.88	0.91								
			1"	25.4	<b>CHT-PS-100-T</b>	1.00	1.04								
4		3/4"		26.7	<b>CHT-PS-105-T</b>	1.05	1.09	1.46 (37)	1.56 (40)	0.75 (19)	1.66 (42)	2.74 (69)	3/8"-16 (10)	1/2" (12) <b>B</b>	0.40 (0.18)
			1"	28.7	<b>CHT-PS-113-T</b>	1.13	1.16								
		1"		33.5	<b>CHT-PS-132-T</b>	1.32	1.35								
			1 1/2"	38.1	<b>CHT-PS-150-T</b>	1.50	1.54								
5	40 mm			40.0	<b>CHT-PS-158-T</b>	1.58	1.61	1.74 (44)	1.79 (46)	0.75 (19)	1.85 (47)	3.18 (81)	3/8"-16 (10)	1/2" (12) <b>B</b>	0.48 (0.22)
			1 1/2"	41.4	<b>CHT-PS-163-T</b>	1.63	1.66								
		1 1/2"		48.3	<b>CHT-PS-190-T</b>	1.90	1.94								
			2"	50.8	<b>CHT-PS-200-T</b>	2.00	2.04								
6	52 mm			52.0	<b>CHT-PS-205-T</b>	2.05	2.10	2.02 (51)	2.04 (52)	1.00 (25)	2.18 (55)	3.77 (96)	3/8"-16 (10)	5/8" (16) <b>C</b>	0.70 (0.32)
			2"	54.0	<b>CHT-PS-213-T</b>	2.13	2.18								
		2"		60.3	<b>CHT-PS-238-T</b>	2.38	2.43								
			2 1/2"	63.5	<b>CHT-PS-250-T</b>	2.50	2.55								
7	70 mm			70.0	<b>CHT-PS-276-T</b>	2.76	2.81	2.27 (58)	2.29 (58)	1.00 (25)	2.34 (59)	4.18 (106)	3/8"-16 (10)	5/8" (16) <b>C</b>	0.76 (0.34)
		2 1/2"		73.1	<b>CHT-PS-288-T</b>	2.88	2.93								
			3"	76.1	<b>CHT-PS-300-T</b>	3.00	3.05								
8			3"	79.5	<b>CHT-PS-313-T</b>	3.13	3.18	2.76 (70)	2.79 (71)	1.00 (25)	3.08 (78)	5.42 (137)	1/2"-13 (12)	3/4" (19) <b>D</b>	0.95 (0.43)
		3"		88.9	<b>CHT-PS-350-T</b>	3.50	3.55								
		4"		101.6	<b>CHT-PS-400-T</b>	4.00	4.05								
8A	104 mm			104.0	<b>CHT-PS-409-T</b>	4.09	4.14	3.00 (76)	3.09 (78)	1.00 (25.4)	3.28 (83)	5.87 (149)	1/2"-13 (12)	3/4" (19) <b>D</b>	0.97 (0.44)
			4"	104.9	<b>CHT-PS-413-T</b>	4.13	4.18								
		4"		114.3	<b>CHT-PS-450-T</b>	4.50	4.55								
9	129 mm			129.0	<b>CHT-PS-508-T</b>	5.08	5.13	3.98 (101)	4.46 (113)	1.50 (38)	4.46 (113)	8.04 (204)	3/4"-10 (19)	1" (25) <b>E</b>	4.20 (1.91)
		6"		152.4	<b>CHT-PS-600-T</b>	6.00	6.05								
10		6"		168.4	<b>CHT-PS-663-X</b>	6.63	6.70	4.13 (105)	4.77 (121)	1.50 (38)	4.79 (122)	8.71 (221)	3/4"-10 (19)	1" (25) <b>E</b>	5.00 (2.26)
11	8"			203.2	<b>CHT-PS-800-X</b>	8.00	8.07	5.14 (130)	5.93 (151)	1.50 (38)	5.87 (149)	10.85 (276)	3/4"-10 (19)	1" (25) <b>E</b>	7.10 (3.22)
		8"		219.2	<b>CHT-PS-863-X</b>	8.63	8.70								

# FIG. 221 CHT

## THREADED MOUNT HANGER

