



Rigid Hanger/Rod Mount Unit

One piece unit with rod welded to the hanger housing. Hanger rods are available in lengths up to 96". Standard rod length is 6"

Features: The rigid hanger is ideal for supporting vertical runs and reducing vibrations. This type rod connection does not offer the dynamic slope adjustment. 6" rod is the standard length with other lengths available. Fig 221 CHR can also be used in combination with our stanchions and/or height adjusters. This combination will allow the support to be adjusted telescopically to the tube or pipe elevation. Call customer service for the price and availability of special rod lengths.

Size Range: 0.24" diameters through 6.00" diameter covering imperial tube, pipe and copper sizes. ISO and DIN standards, and special diameters available upon request.

Hardware: 304 Stainless Steel (Standard), 316 Stainless Steel

Finish: 25 RA

Plastic: Polyethersulfone (PESU) (Black = Anchor and Gray = Guide). See Technical Data for temperature ratings.

Anchors: Refer to shear force diagram in technical section (page 88)

Guides: Allows free axial movement for thermal expansion of tube or pipe

221 CHR Rigid Mount Hanger - Part Number Configurator

Part Number Example:

CHR - PG - 150 - T - 06

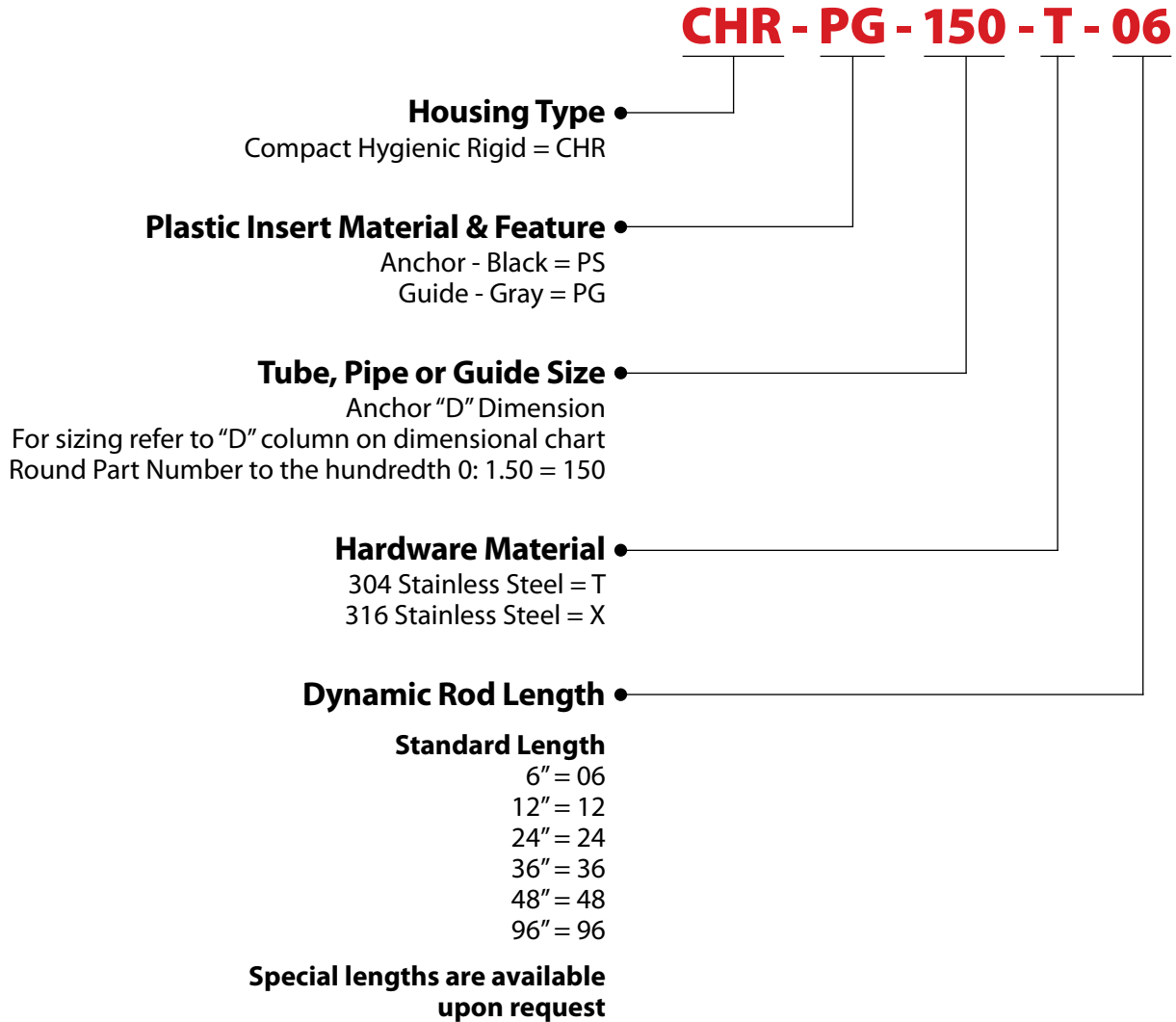


FIG. 221 CHR

RIGID MOUNT HANGER

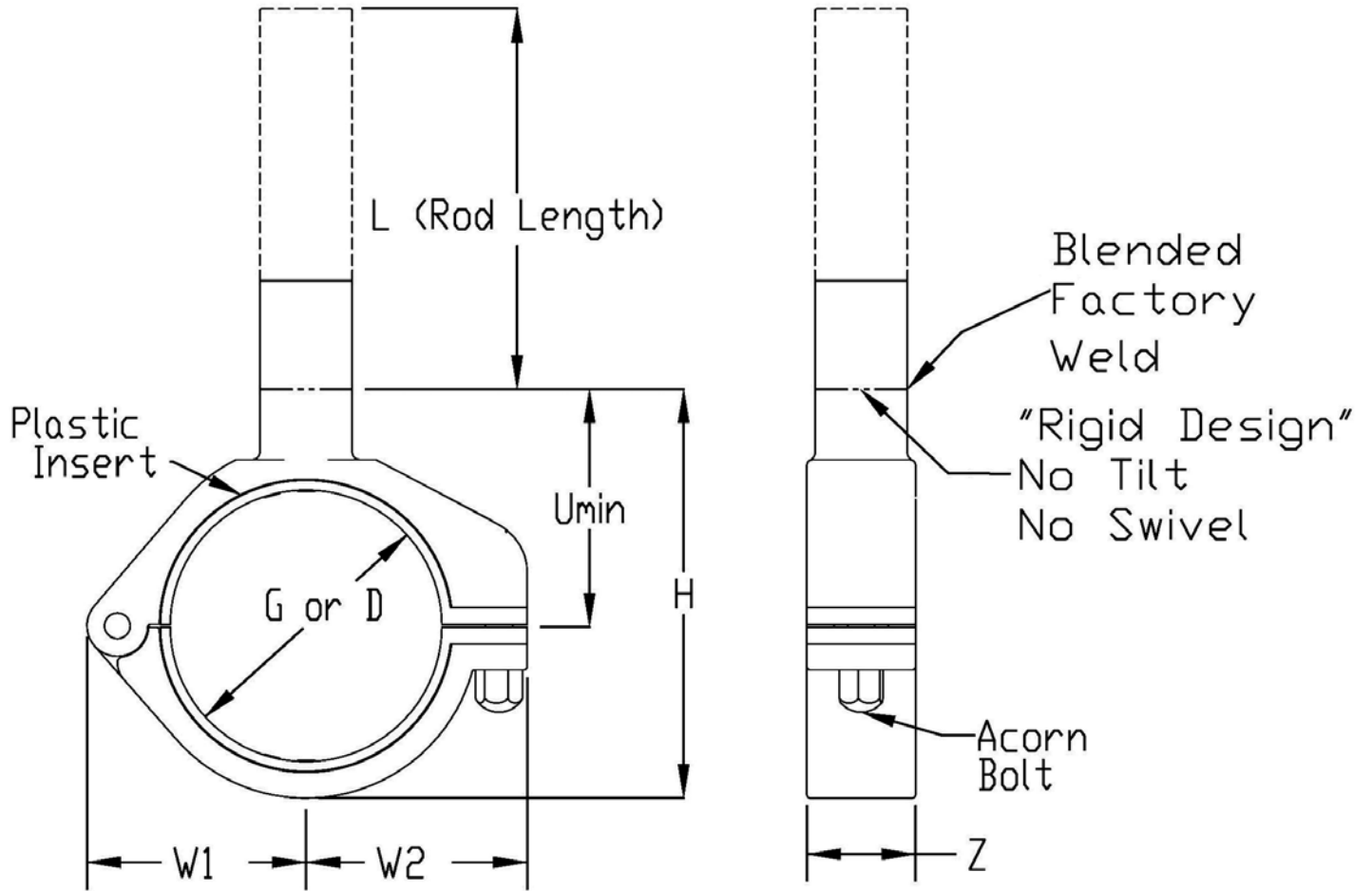


FIG. 221 CHR

RIGID MOUNT HANGER

Group No.	Stainless Tube	Pipe	Copper Tube	Outside Diameter (mm)	221 CHR	UNIVERSAL DIMENSIONS AMONG HOUSINGS						221 CHR			
					Part Number (-PS- as displayed is an Anchor & -PG- would make a Guide)	"D" Anchor Plastic	"G" Guide Plastic	Dimension, in. (mm)						Rod Diameter	Weight, lb (kg)
								W1	W2	Z	U, min	H	L		
1	6 mm			6.0	CHR-PS-024-T-??	0.24	0.27	0.93 (24)	1.02 (26)	0.75 (19)	1.08 (28)	1.67 (42)	??	1/2" (12)	0.58 (0.26)
	1/4"			6.3	CHR-PS-025-T-??	0.25	0.29								
	3/8"			9.6	CHR-PS-038-T-??	0.38	0.40								
	1/2"			12.7	CHR-PS-050-T-??	0.50	0.54								
2		1/4"		13.7	CHR-PS-054-T-??	0.54	0.58	1.06 (27)	1.15 (29)	0.75 (19)	1.23 (31)	1.93 (49)	??	1/2" (12)	0.60 (0.27)
			1/2"	16.0	CHR-PS-063-T-??	0.63	0.67								
			3/4"	19.0	CHR-PS-075-T-??	0.75	0.79								
3	20 mm			20.0	CHR-PS-079-T-??	0.79	0.82	1.20 (31)	1.28 (33)	0.75 (19)	1.35 (34)	2.19 (56)	??	1/2" (12)	0.66 (0.30)
		1/2"		21.3	CHR-PS-084-T-??	0.84	0.88								
			3/4"	22.4	CHR-PS-088-T-??	0.88	0.91								
			1"	25.4	CHR-PS-100-T-??	1.00	1.04								
4		3/4"		26.7	CHR-PS-105-T-??	1.05	1.09	1.45 (37)	1.56 (40)	0.75 (19)	1.66 (42)	2.74 (69)	??	1/2" (12)	0.72 (0.33)
			1"	28.7	CHR-PS-113-T-??	1.13	1.16								
			1"	33.5	CHR-PS-132-T-??	1.32	1.35								
			1 1/2"	38.1	CHR-PS-150-T-??	1.50	1.54								
5	40 mm			40.0	CHR-PS-158-T-??	1.58	1.61	1.74 (44)	1.79 (46)	0.75 (19)	1.85 (47)	3.18 (81)	??	1/2" (12)	0.80 (0.36)
			1 1/2"	41.4	CHR-PS-163-T-??	1.63	1.66								
		1 1/2"		48.3	CHR-PS-190-T-??	1.90	1.94								
			2"	50.8	CHR-PS-200-T-??	2.00	2.04								
6	52 mm			52.0	CHR-PS-205-T-??	2.05	2.10	2.02 (51)	2.04 (52)	1.00 (25)	2.18 (55)	3.77 (96)	??	5/8" (16)	1.61 (0.73)
			2"	54.0	CHR-PS-213-T-??	2.13	2.18								
		2"		60.3	CHR-PS-238-T-??	2.38	2.43								
			2 1/2"	63.5	CHR-PS-250-T-??	2.50	2.55								
7	70 mm			70.0	CHR-PS-276-T-??	2.76	2.81	2.27 (58)	2.29 (58)	1.00 (25)	2.34 (59)	4.18 (106)	??	5/8" (16)	1.67 (0.73)
			2 1/2"	73.1	CHR-PS-288-T-??	2.88	2.93								
			3"	76.1	CHR-PS-300-T-??	3.00	3.05								
8			3"	79.5	CHR-PS-313-T-??	3.13	3.18	2.76 (70)	2.79 (71)	1.00 (25)	3.08 (78)	5.42 (137)	??	3/4" (19)	1.86 (0.84)
			3"	88.9	CHR-PS-350-T-??	3.50	3.55								
			4"	101.6	CHR-PS-400-T-??	4.00	4.05								
8A	104 mm			104.0	CHR-PS-409-T-??	4.09	4.14	3.01 (76)	3.09 (78)	1.00 (25)	3.28 (83)	5.87 (149)	??	3/4" (19)	1.88 (0.85)
			4"	104.9	CHR-PS-413-T-??	4.13	4.18								
			4"	114.3	CHR-PS-450-T-??	4.50	4.55								
9	129 mm			129.0	CHR-PS-508-T-??	5.08	5.13	3.98 (101)	4.46 (113)	1.50 (38)	4.45 (113)	8.03 (204)	??	1" (25)	6.21 (2.81)
			6"	152.4	CHR-PS-600-T-??	6.00	6.05								

All standard sizes shown, special diameters available upon request.

FIG. 221 CHR

RIGID MOUNT HANGER

