



Dynamic Slope Adjusting Hanger/Rod Mount Unit

One piece unit with attached dynamic rod. Hanger rods are available in lengths ranging from min of 1.4" to 96". Standard length is 6".

Features: A dynamic union between the hanger rod and hanger housing allows for the housing to self adjust to the tube's slope for drainability as well as a 360° swivel. A 6" rod is the standard length with other lengths available. Fig 221 CH can also be used in combination with our stanchions and/or height adjusters. This combination will allow the support to be adjusted telescopically to the tube or pipe elevation. Call customer service for the price and availability of special rod lengths.

Size Range: 0.24" diameters through 6.00" diameter covering imperial tube, pipe and copper sizes. ISO and DIN standards, and special diameters available upon request.

Hardware: 304 Stainless Steel (Standard), 316 Stainless Steel

Finish: 25 RA

Plastic: Polyethersulfone (PESU) (Black = Anchor and Gray = Guide)
See technical data for temperature ratings.

Anchors: Refer to shear force diagram in technical section (page 88).

Guides: Allows free axial movement for thermal expansion of tube or pipe

221 CH Compact Dynamic Hanger - Part Number Configurator

Part Number Example:
CH - PS - 150 - T - 06

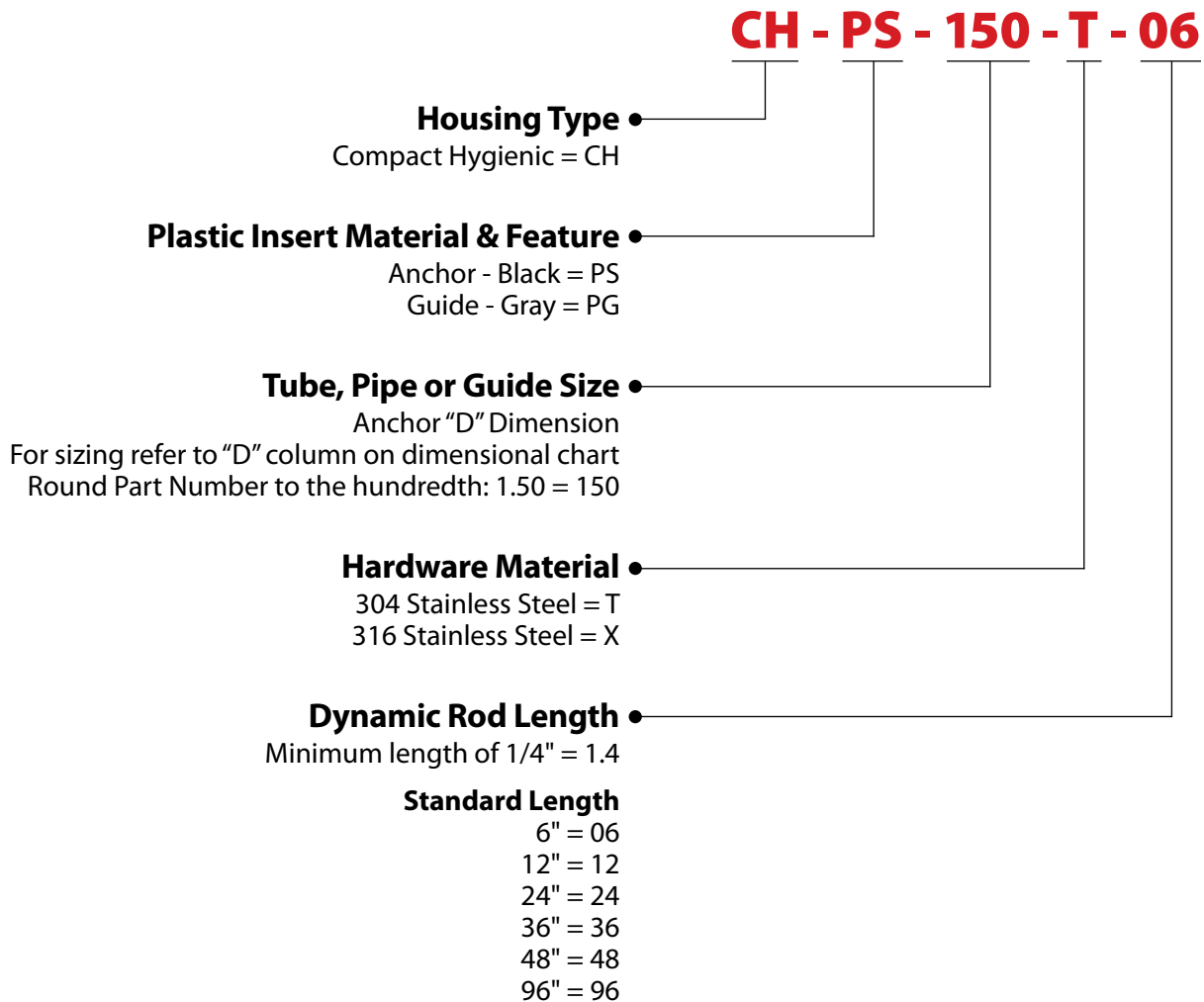


FIG. 221 CH

DYNAMIC MOUNT HANGER

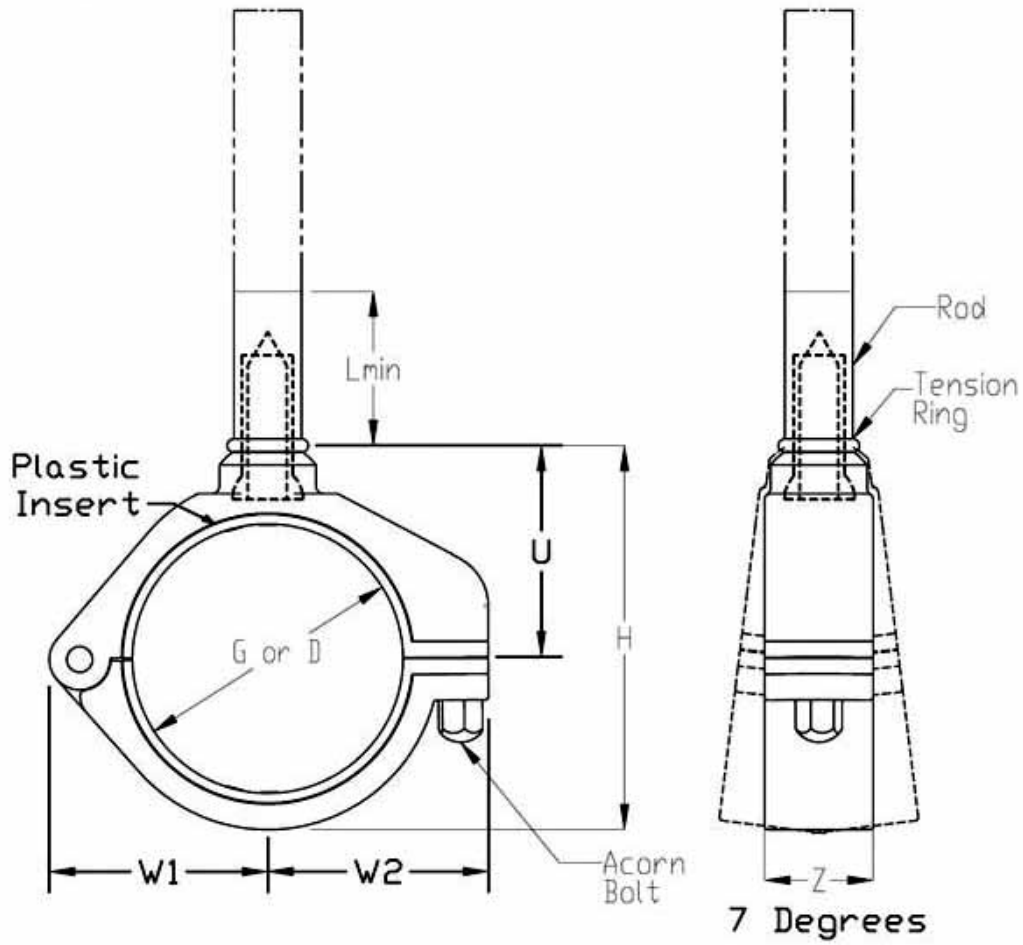


FIG. 221 CH

DYNAMIC MOUNT HANGER

Group No.	Stainless Tube	Pipe	Copper Tube	Outside Diameter (mm)	221 CH	UNIVERSAL DIMENSIONS AMONG HOUSINGS							221 CH			
					Part Number (-PS- as displayed is an Anchor & -PG- would make a Guide)	"D" Anchor Plastic	"G" Guide Plastic	Dimension, in. (mm)							Rod Diameter	Weight, lb (kg)
								W1	W2	Z	L, min	U	H			
1	6 mm			6.0	CH-PS-024-T-??	0.24	0.27	0.93 (24)	1.02 (26)	0.75 (19)	1.26 (32)	0.95 (24)	1.54 (39)	0.63 (16)	0.76 (0.34)	
	1/4"			6.3	CH-PS-025-T-??	0.25	0.29									
	3/8"			9.6	CH-PS-038-T-??	0.38	0.40									
	1/2"			12.7	CH-PS-050-T-??	0.50	0.54									
2		1/4"		13.7	CH-PS-054-T-??	0.54	0.58	1.06 (27)	1.15 (29)	0.75 (19)	1.26 (32)	1.07 (27)	1.77 (45)	0.63 (16)	0.79 (0.36)	
			1/2"	16.0	CH-PS-063-T-??	0.63	0.67									
			3/4"	19.0	CH-PS-075-T-??	0.75	0.79									
3	20 mm			20.0	CH-PS-079-T-??	0.79	0.82	1.20 (31)	1.28 (33)	0.75 (19)	1.26 (32)	1.20 (30)	2.04 (52)	0.63 (16)	0.82 (0.37)	
		1/2"		21.3	CH-PS-084-T-??	0.84	0.88									
			3/4"	22.4	CH-PS-088-T-??	0.88	0.91									
			1"	25.4	CH-PS-100-T-??	1.00	1.04									
4		3/4"		26.7	CH-PS-105-T-??	1.05	1.09	1.45 (37)	1.56 (40)	0.75 (19)	1.26 (32)	1.45 (39)	2.53 (65)	0.63 (16)	0.86 (0.39)	
			1"	28.7	CH-PS-113-T-??	1.13	1.16									
			1"	33.5	CH-PS-132-T-??	1.32	1.35									
			1 1/2"	38.1	CH-PS-150-T-??	1.50	1.54									
5	40 mm			40.0	CH-PS-158-T-??	1.58	1.61	1.74 (44)	1.79 (46)	0.75 (19)	1.26 (32)	1.70 (43)	3.03 (77)	0.63 (16)	0.97 (0.44)	
			1 1/2"	41.4	CH-PS-163-T-??	1.63	1.66									
			1 1/2"	48.3	CH-PS-190-T-??	1.90	1.94									
			2"	50.8	CH-PS-200-T-??	2.00	2.04									
6	52 mm			52.0	CH-PS-205-T-??	2.05	2.10	2.02 (51)	2.04 (52)	1.00 (25)	1.36 (35)	2.04 (52)	3.63 (92)	0.75 (19)	1.37 (0.62)	
			2"	54.0	CH-PS-213-T-??	2.13	2.18									
			2"	60.3	CH-PS-238-T-??	2.38	2.43									
			2 1/2"	63.5	CH-PS-250-T-??	2.50	2.55									
7	70 mm			70.0	CH-PS-276-T-??	2.76	2.81	2.27 (58)	2.29 (58)	1.00 (25)	1.36 (35)	2.29 (58)	4.13 (105)	0.75 (19)	1.42 (0.64)	
			2 1/2"	73.1	CH-PS-288-T-??	2.88	2.93									
			3"	76.1	CH-PS-300-T-??	3.00	3.05									
8			3"	79.5	CH-PS-313-T-??	3.13	3.18	2.76 (70)	2.79 (71)	1.00 (25)	1.36 (35)	2.79 (71)	5.13 (131)	0.75 (19)	1.62 (0.73)	
			3"	88.9	CH-PS-350-T-??	3.50	3.55									
			4"	101.6	CH-PS-400-T-??	4.00	4.05									
8A	104 mm			104.0	CH-PS-409-T-??	4.09	4.14	3.00 (76)	3.09 (78)	1.00 (25)	1.36 (35)	3.04 (77)	5.63 (143)	0.75 (19)	1.72 (0.78)	
			4"	104.9	CH-PS-413-T-??	4.13	4.18									
			4"	114.3	CH-PS-450-T-??	4.50	4.55									
9	129 mm			129.0	CH-PS-508-T-??	5.08	5.13	3.98 (101)	4.46 (113)	1.50 (38)	1.78 (45)	4.16 (106)	7.74 (197)	1.00 (25)	5.33 (2.42)	
			6"	152.4	CH-PS-600-T-??	6.00	6.05									

FIG. 221 CH

DYNAMIC MOUNT HANGER



Housing with Gray inserts are "Guide" supports

Housing with Black inserts are "Anchor" supports

