

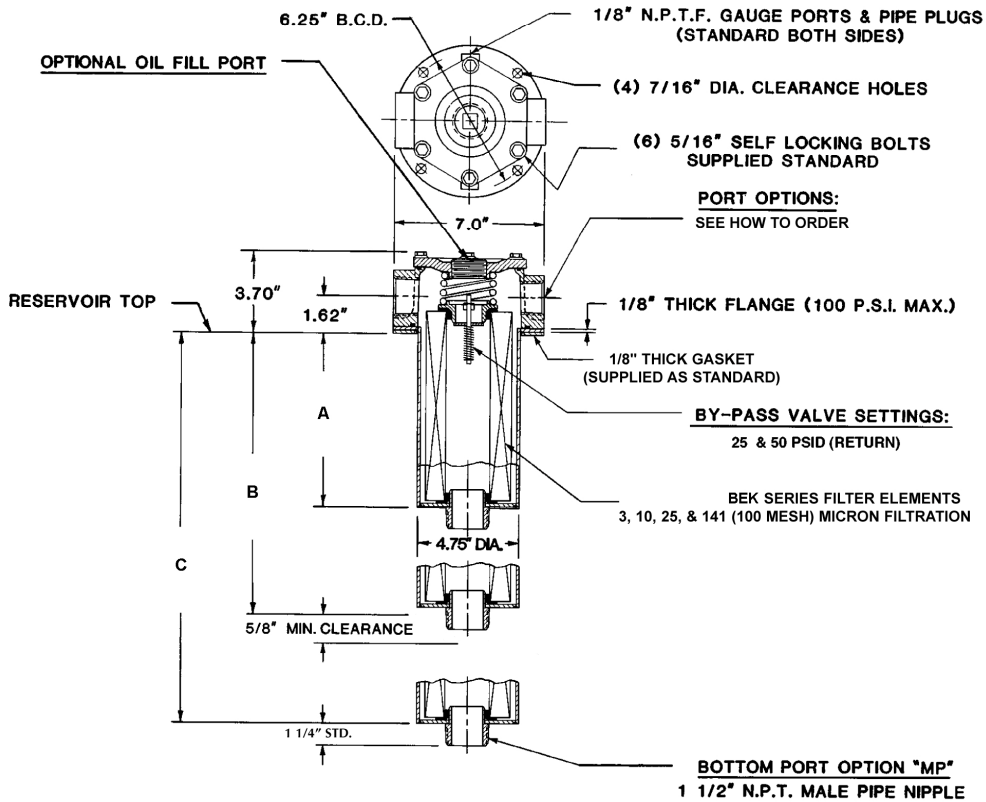
# BEHRINGER®



## BF4R SERIES INTANK / RETURN LINE TANK TOP FILTERS

- Flows Up To: 83 GPM (Return)  
Port Sizes:
- 1 1/4" NPT
  - 1 5/8" - 12 UN (SAE - 20)
  - 1 7/8" - 12 UN (SAE - 24)
  - 1 1/2" NPTF

5 3/8" DIA. MOUNTING  
HOLE REQUIRED



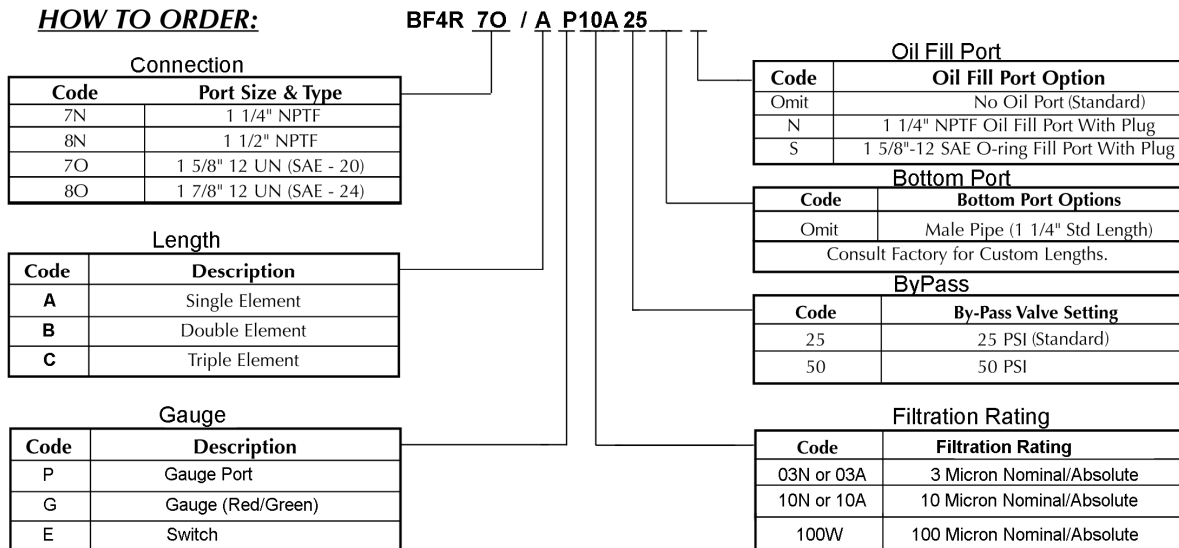
### Length Chart

- A = 8.5"  
B = 17.8"  
C = 27.1"

# BEHRINGER®

- Data:**
- Maximum Operating Pressure: 100 PSI  
**Warning: 80 PSI  $\Delta$ P max. without by-pass valve in filter head.**
  - Operating Temperatures: -65 to +250° F.
  - Suitable for petroleum based fluids only.  
Consult factory for synthetic fluids.
  - Filter housing mounting bolt pattern matches **Schroeder** ST, RT, & LRT series housings.
  - **BF4R** series housings are fully compatible with **Schroeder** K series elements.

## HOW TO ORDER:



# BEHRINGER®

*Average Pressure Drop Thru Clean Filter Assembly With 150 SUS Oil At 105° F*

