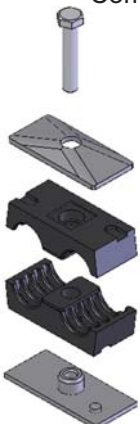


Ordering Examples

TW

Complete Clamp for Weld Mounting




Consists of:

- 1 HEX Bolts
- 1 TCP Cover Plate
- 1 CLH Clamp Set (2 halves)
- 1 TWP Weld Plate

UT

Complete Clamp for Strut Mounting




Consists of:

- 1 HEX Bolts
- 1 TCP Cover Plate
- 1 CLH Clamp Set (2 halves)
- 1 UCN Unistrut Clip

R0T

Complete Clamp for RAL-0 Mounting




Consists of:

- 1 HEX Bolts
- 1 TCP Cover Plate
- 1 CLH Clamp Set (2 halves)
- 2 RCN-0 Rail Nut

**R1T
R4T**

Complete Clamp for RAL-1 Mounting



Consists of:

- 1 HEX Bolts
- 1 TCP Cover Plate
- 1 CLH Clamp Set (2 halves)
- 1 RCN-4 Rail Nut

TWSK

Complete Stacking Kit



Consists of:

- 1 STB Stacking Bolt
- 1 SAF Safety Plate
- 1 CLH Clamp Set (2 halves)