

FIG. 221 CH

DYNAMIC MOUNT HANGER

Dynamic "Anchor or Guide" Slope Adjusting Hanger/ Rod Mount Unit

One piece unit with attached dynamic rod. Hanger rods are available in lengths ranging from min of 1.26" to 96". Standard length is 6".

Features: A dynamic union between the hanger rod and hanger housing allows for the housing to self adjust to the tubes slope for drainability as well as a 360° swivel. A 6" rod is the standard length with other lengths available. Fig 221 CH can also be used in combination with the figure 223, 225 or 226 stanchions. This combination will allow the support to be adjusted telescopically to the tube or pipe elevation. Call customer service for the price and availability of special rod lengths.

Size Range: 0.24" diameters through 6.00" diameter covering imperial tube, pipe and copper sizes. ISO and DIN standards, and special diameters available upon request.

Hardware: 304 stainless steel (Standard), 316 stainless steel

Finish: Stainless steel at a 25 RA

Plastic: Polysulfone (Black = Anchor and Gray = Guide)

Shearing: Anchors - Refer to shear force diagram in technical section (page 27)
 Guides - Allows free axial movement for thermal expansion of tube or pipe



Housing with Black inserts are "Anchor" supports



Housing with Gray inserts are "Guide" supports

Fig. 221CH Compact Dynamic Hanger - Part Number Configurator

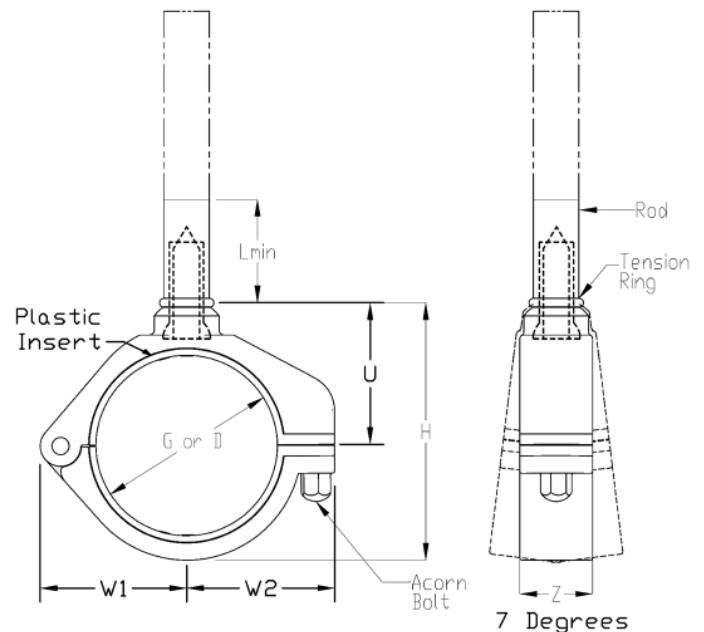
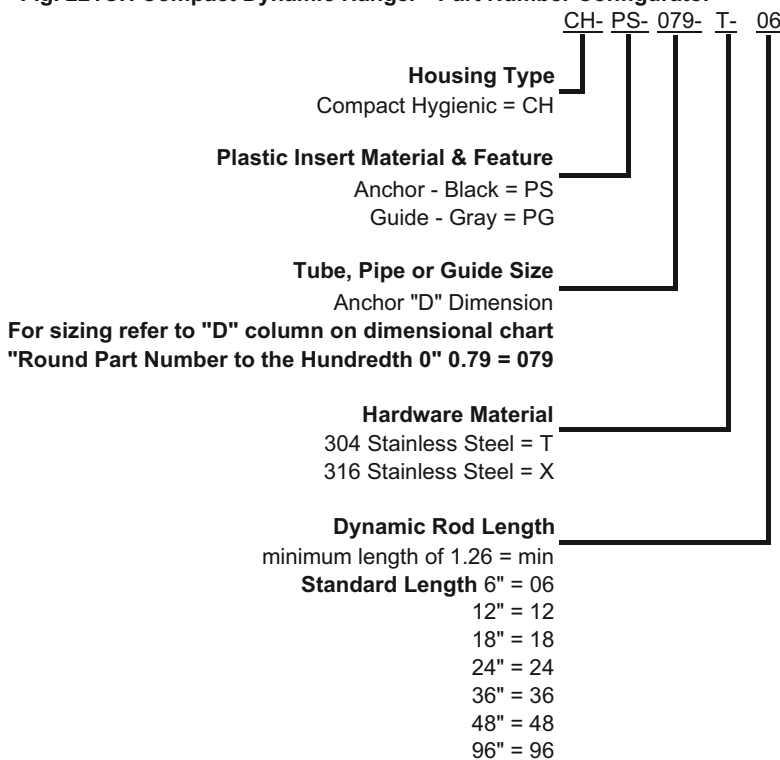


FIG. 221 CH

DYNAMIC MOUNT HANGER

Group No.	Stainless Tube	Pipe	Copper Tube	221 CH	UNIVERSAL DIMENSIONS AMONG HOUSINGS			221 CH						
				Part Number (-PS- as displayed is an Anchor & -PG- would make a Guide)	"D" Anchor Plastic	"G" Guide Plastic	Dimension, in. (mm)							Weight, lb (kg)
							W1	W2	Z	L, min	U	H	Rod Diameter	
1	6 mm			CH-PS-024-T-??	0.24	0.27	0.93 (24)	1.02 (26)	0.75 (19)	1.26 (32)	0.95 (24)	1.54 (39)	0.63 (16)	0.76 (0.34)
	1/4"			CH-PS-025-T-??	0.25	0.29								
	3/8"			CH-PS-038-T-??	0.38	0.41								
	1/2"			CH-PS-050-T-??	0.50	0.54								
2		1/4"		CH-PS-054-T-??	0.54	0.58	1.06 (27)	1.15 (29)	0.75 (19)	1.26 (32)	1.07 (27)	1.77 (45)	0.63 (16)	0.79 (0.36)
			1/2"	CH-PS-063-T-??	0.63	0.66								
			3/4"	CH-PS-075-T-??	0.75	0.79								
3	20 mm			CH-PS-079-T-??	0.79	0.82	1.20 (31)	1.28 (33)	0.75 (19)	1.26 (32)	1.20 (30)	2.04 (52)	0.63 (16)	0.82 (0.37)
			1/2"	CH-PS-084-T-??	0.84	0.88								
			3/4"	CH-PS-088-T-??	0.88	0.91								
			1"	CH-PS-100-T-??	1.00	1.04								
4		3/4"		CH-PS-105-T-??	1.05	1.09	1.45 (37)	1.56 (40)	0.75 (19)	1.26 (32)	1.45 (39)	2.53 (65)	0.63 (16)	0.86 (0.39)
			1"	CH-PS-113-T-??	1.13	1.16								
			1"	CH-PS-132-T-??	1.32	1.35								
			1 1/2"	CH-PS-150-T-??	1.50	1.54								
5	40 mm			CH-PS-158-T-??	1.58	1.61	1.74 (44)	1.79 (46)	0.75 (19)	1.26 (32)	1.70 (43)	3.03 (77)	0.63 (16)	0.97 (0.44)
			1 1/2"	CH-PS-163-T-??	1.63	1.66								
			1 1/2"	CH-PS-190-T-??	1.90	1.94								
			2"	CH-PS-200-T-??	2.00	2.04								
6	52 mm			CH-PS-205-T-??	2.05	2.10	2.02 (51)	2.04 (52)	1.00 (25)	1.36 (35)	2.04 (52)	3.63 (92)	0.75 (19)	1.37 (0.62)
			2"	CH-PS-213-T-??	2.13	2.18								
			2"	CH-PS-238-T-??	2.38	2.43								
			2 1/2"	CH-PS-250-T-??	2.50	2.55								
7	70 mm			CH-PS-276-T-??	2.76	2.81	2.27 (58)	2.29 (58)	1.00 (25)	1.36 (35)	2.29 (58)	4.13 (105)	0.75 (19)	1.42 (0.64)
			2 1/2"	CH-PS-288-T-??	2.88	2.93								
			3"	CH-PS-300-T-??	3.00	3.05								
8			3"	CH-PS-313-T-??	3.13	3.18	2.76 (70)	2.79 (71)	1.00 (25)	1.36 (35)	2.79 (71)	5.13 (131)	0.75 (19)	1.62 (0.73)
			3"	CH-PS-350-T-??	3.50	3.55								
			4"	CH-PS-400-T-??	4.00	4.05								
8A	104 mm			CH-PS-409-T-??	4.09	4.14	3.00 (76)	3.09 (78)	1.00 (25)	1.36 (35)	3.04 (77)	5.63 (143)	0.75 (19)	1.72 (0.78)
			4"	CH-PS-413-T-??	4.13	4.18								
			4"	CH-PS-450-T-??	4.50	4.55								
9	129 mm			CH-PS-508-T-??	5.08	5.13	3.98 (101)	4.46 (113)	1.50 (38)	1.78 (45)	4.16 (106)	7.74 (197)	1.00 (25)	5.33 (2.42)
			6"	CH-PS-600-T-??	6.00	6.05								

All standard sizes shown, special diameters available upon request